



Rubber-metal-buffers





Rubber-metal-buffers

Our delivery program:

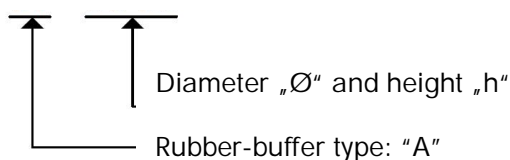
1. Rubber-buffer-program
 2. Rubber-moulded parts according to drawing
 3. Rubber-metal-moulded parts according to drawing
 4. Metalparts chromated
 5. Metalparts galvanized
 6. Metalparts powder-coated
 8. Thread lengths can be manufactured differently from the regular program
 7. Metalparts V2a
 9. Rubber hardness from 35° to 90° shore
 10. Sundry Rubbermaterials are possible
- Technical modifications and errors excepted

Index:

Rubber-metal-buffers, Typ A	Page M-5 – M-6
Rubber-metal-buffers, Typ B	Page M-7 – M-8
Rubber-metal-buffers, Typ C	Page M-9 – M-10
Rubber-metal-buffers, Typ D	Page M-11 – M-12
Rubber-metal-buffers, Typ E	Page M-13 – M-14
Rubber-metal-buffers, Typ ES	Page M-14
Rubber-metal-buffers, Typ DS	Page M-15
Rubber-metal-buffers, Typ K	Page M-15
Rubber-metal-buffers, Typ TA	Page M-16
Rubber-metal-buffers, Typ TB	Page M-16
Rubber-metal-buffers, Typ TC	Page M-17
Rubber-metal-buffers, Typ P	Page M-17
Rubber-metal-buffers, Typ Crane bump stop	Page M-18
Rubber-metal-buffers, Typ KE	Page M-18
Rubber-metal-buffers, TypKV	Page M-18
Rubber-metal-Maschine feed	Page M-19 – M-20
Rubber-metal-Cone bearings	Page M-20
Rubber-metal-Clip-elements	Page M-21
Rubber-metal-Flange-elements	Page M-21
Rubber-metal-Hat-elements	Page M-21
Rubber-metal-Ring-Elemente	Page M-22
Rubber-metal-Sprong washers	Page M-22
Rubber-metal-Puffer, Gear-cushion	Page M-22
Maximum loads und springe rates	Page M-23-M-24
Material overview	Page M-25

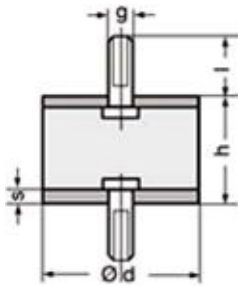
Ordering example:

Art.no. H – 01 – 06 06

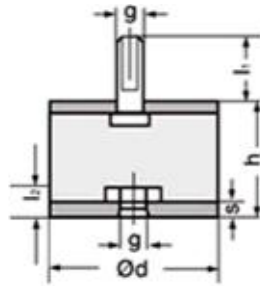


Rubber-metal-buffer

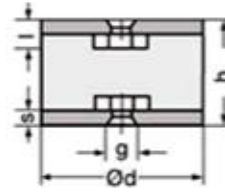
Rubber-metal-buffer



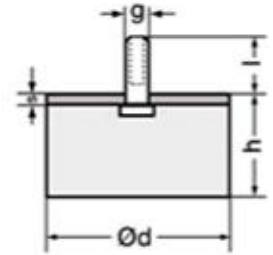
Typ "A"



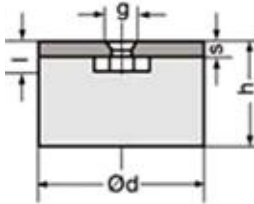
Typ "B"



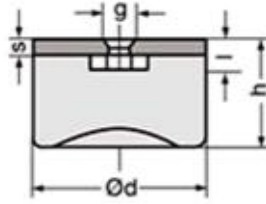
Typ "C"



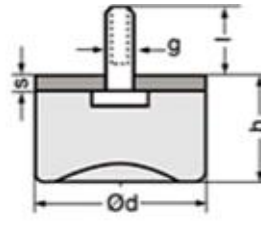
Type "D"



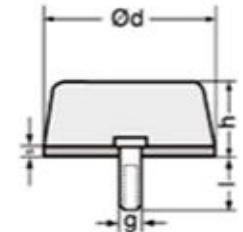
Type "E"



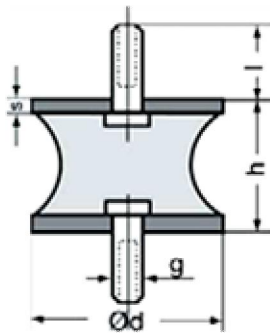
Type "ES"



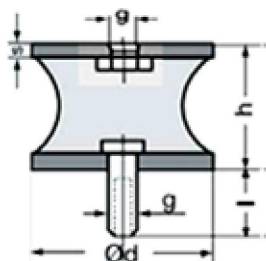
Type "DS"



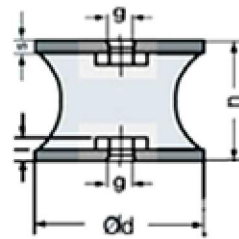
Type "K"
conical



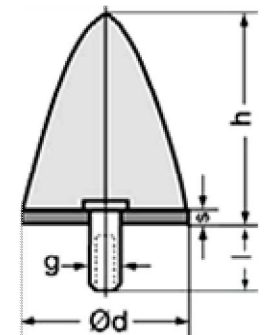
Type "TA"
waisted



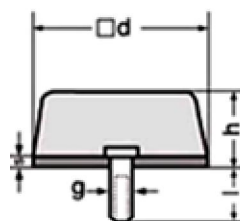
Type "TB"
waisted



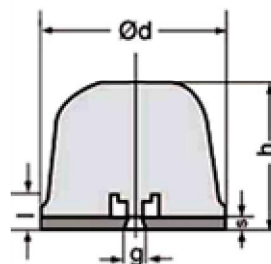
Type "TC"
waisted



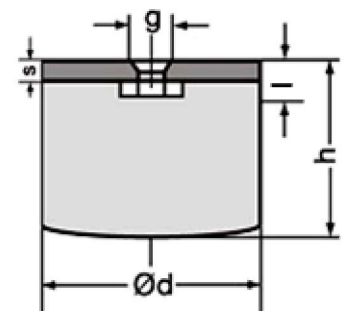
Type "P"
parabolic



Type "KV"
conical-square



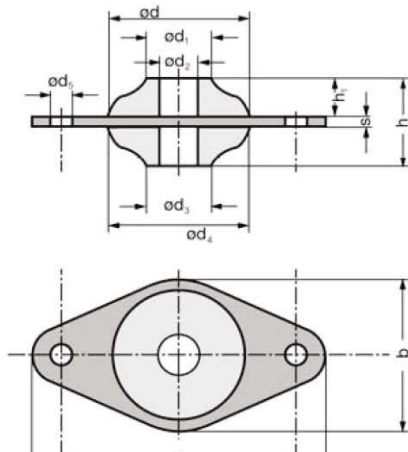
Type "KE"



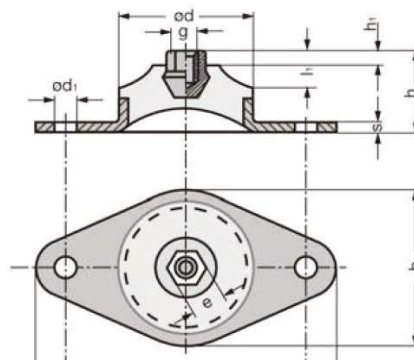
„Crane-bump stop“

Rubber-metal-buffer

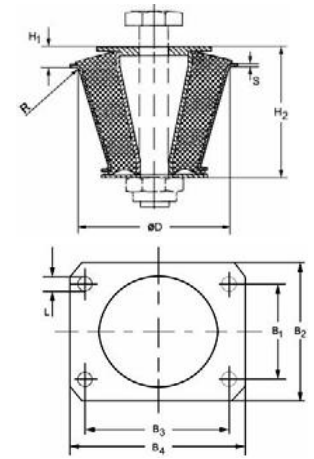
Rubber-metal-elements



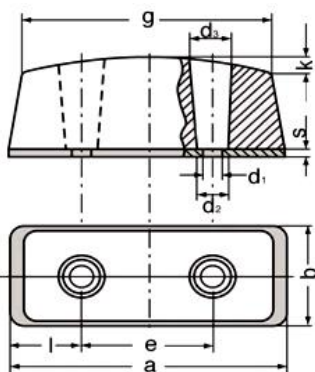
„Flange-elements“



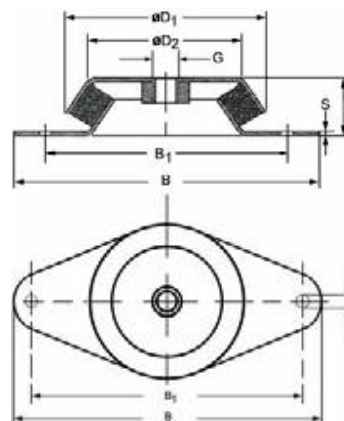
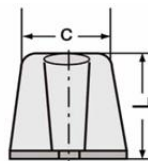
„Hat-elements“



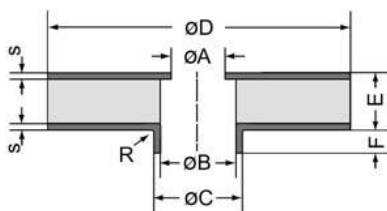
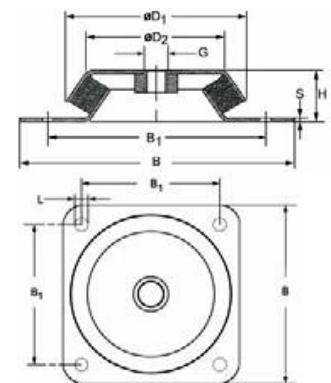
„Cone bearings“



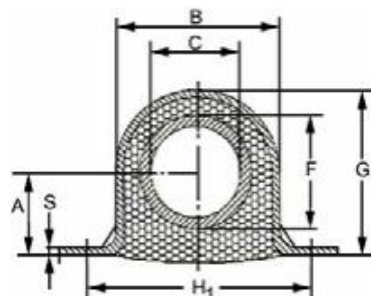
„Gear-cushion“



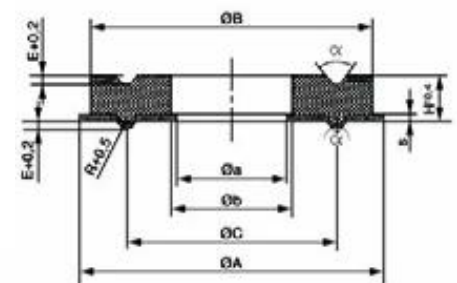
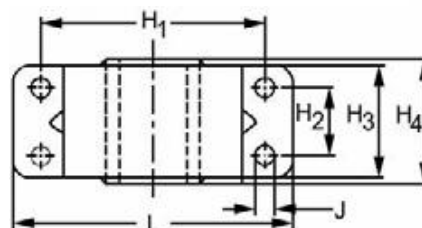
„Maschine feed“



„Ring-elements“



„Clip-elements“



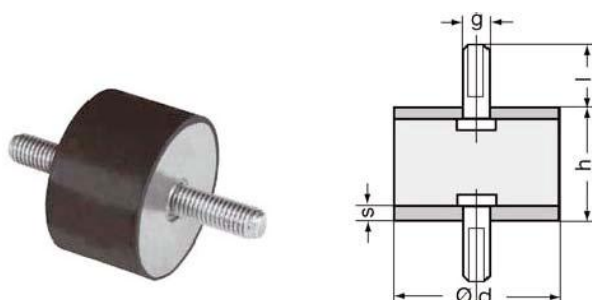
„Spring washers“

Rubber-metal-buffer

Rubber-metal-buffer, Type "A"

With threaded bolt, duplex

Natural rubber in 55° shore -"intermediate"
On request also available 45°, 65°, 70° Shore



Article no.	Dimensions in mm				
	Ø d	h	g	l	S
H-01-0808	8	8	M3	6	2
H-01-01010	10	10	M4	11	2
H-01-01015	10	15	M4	12	2
H-01-01021	10	21	M4	11	2
H-01-01310	13	10	M4	12	2
H-01-01508	15	8	M4	12	2
H-01-01510	15	10	M4	12	2
H-01-01515	15	15	M4	12	2
H-01-01520	15	20	M4	12	2
H-01-01530	15	30	M4	12	2
H-01-018/8,5	18	8,5	M4	18	2
H-01-01810	18	10	M4	18	2
H-01-02008	20	8	M6	18	2,5
H-01-02010	20	10	M6	18	2,5
H-01-02012	20	12	M6	18	2,5
H-01-02015	20	15	M6	18	2,5
H-01-02020	20	20	M6	18	2,5
H-01-02025	20	25	M6	18	2,5
H-01-02510	25	10	M6	18	2,5
H-01-02515	25	15	M6	18	2,5
H-01-02520	25	20	M6	18	2,5

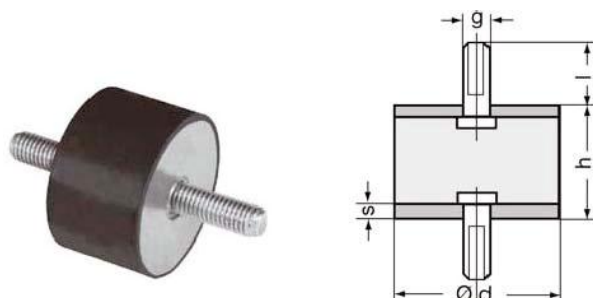
Article no.	Dimensions in mm				
	Ø d	h	g	l	S
H-01-02525	25	25	M6	18	2,5
H-01-02530	25	30	M6	18	2,5
H-01-03012	30	12	M8	23	2,5
H-01-03015	30	15	M8	23	2,5
H-01-03020	30	20	M8	23	2,5
H-01-03025	30	25	M8	23	2,5
H-01-03030	30	30	M8	23	2,5
H-01-03040	30	40	M8	23	2,5
H-01-03516	35	16	M8	23	2,5
H-01-04008	40	8	M8	23	2,5
H-01-04015	40	15	M8	23	2,5
H-01-04020	40	20	M8	23	2,5
H-01-04025-M8	40	25	M8	23	2,5
H-01-04025-M10	40	25	M10	20	2,5
H-01-04030	40	30	M8	23	2,5
H-01-04030-M10	40	30	M10	23	2,5
H-01-04035	40	35	M8	23	2,5
H-01-04040	40	40	M8	23	2,5
H-01-04050	40	50	M8	23	2,5

Rubber-metal-buffer

Rubber-metal-buffer, Type "A"

With threaded bolt, duplex

Natural rubber in 55° shore -"intermediate"
On request also available 45°, 65°, 70° Shore



Article no.	Dimensions in mm				
	Ø d	h	g	l	S
H-01-05015	50	15	M10	28	2,5
H-01-05017	50	17	M10	28	2,5
H-01-05020	50	20	M10	28	2,5
H-01-05025	50	25	M10	28	2,5
H-01-05030	50	30	M10	28	2,5
H-01-05040	50	40	M10	28	2,5
H-01-05045	50	45	M10	28	2,5
H-01-05050	50	50	M10	28	2,5
H-01-05080	50	80	M10	28	2,5
H-01-06020-M10	60	20	M10	28	2,5
H-01-06020-M12	60	20	M12	37	2,5
H-01-06030-M10	60	30	M10	28	2,5
H-01-06030-M12	60	30	M12	37	2,5
H-01-06040-M10	60	40	M10	28	2,5
H-01-06040-M12	60	40	M12	37	2,5
H-01-06050	60	50	M10	28	2,5
H-01-06060-M10	60	60	M10	28	2,5
H-01-06560	65	60	M10	28	2,5
H-01-07030	70	30	M10	28	2,5
H-01-07040-M10	70	40	M10	28	2,5
H-01-07045-M10	70	45	M10	28	2,5
H-01-07045-M12	70	45	M12	37	2,5
H-01-07050	70	50	M10	28	2,5
H-01-07055	70	55	M10	28	2,5
H-01-07060	70	60	M10	28	2,5
H-01-07525	75	25	M12	37	2,5
H-01-07530	75	30	M12	37	2,5
H-01-07540	75	40	M12	37	2,5

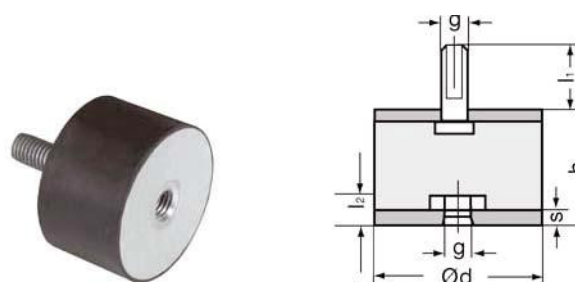
Article no.	Dimensions in mm				
	Ø d	h	g	l	S
H-01-07545	75	45	M12	37	2,5
H-01-07550	75	50	M12	37	2,5
H-01-07555	75	55	M12	37	2,5
H-01-07560	75	60	M12	37	2,5
H-01-07570	75	70	M12	37	2,5
H-01-07575	75	75	M12	37	2,5
H-01-08030	80	30	M12	37	2,5
H-01-08040	80	40	M12	37	2,5
H-01-08585	85	85	M16	43	2,5
H-01-10040	100	40	M16	43	3
H-01-10050	100	50	M16	43	3
H-01-10055	100	55	M16	43	3
H-01-10060	100	60	M16	43	3
H-01-10075	100	75	M16	43	3
H-01-12575	125	75	M16	43	4
H-01-15050	150	50	M16	43	4
H-01-15055	150	55	M16	43	4
H-01-15075	150	75	M16	43	4
H-01-150100	150	100	M16	43	4
H-01-200100	200	100	M20	45	6

Rubber-metal-buffer

Rubber-metal-buffer, Type "B"

With threaded bolt on the one hand,
internal thread on the other hand

Natural rubber in 55° shore -"intermediate"
On request also available 45°, 65°, 70° Shore



Article no.	Dimensions in mm					
	Ø d	h	g	l1	l2	s
H-02-0607	6	7	M3	6	3	2
H-02-0808	8	8	M3	6	3	2
H-02-01008	10	8	M4	10	4	2
H-02-01010	10	10	M4	10	4	2
H-02-01015	10	15	M4	10	4	2
H-02-01020	10	20	M4	10	4	2
H-01310	13	10	M4	10	4	2
H-02-01508	15	8	M4	10	4	2
H-02-01510	15	10	M4	10	4	2
H-02-01512	15	12	M4	10	4	2
H-02-01515	15	25	M4	10	4	2
H-02-01520	15	20	M4	10	4	2
H-02-01525	15	25	M4	11	4	2
H-02-01530	15	30	M4	10	4	2
H-02-02015	20	15	M6	18	6	2,5
H-02-02020	20	20	M6	18	6	2,5
H-02-02025	20	25	M6	18	6	2,5
H-02-02030	20	30	M6	18	6	2,5
H-02-02515	25	15	M6	18	6	2,5
H-02-02520	25	20	M6	18	6	2,5
H-02-02525	25	25	M6	18	6	2,5
H-02-02530	25	30	M6	18	6	2,5
H-02-02535	25	35	M6	18	6	2,5
H-02-02540	25	40	M6	18	6	2,5
H-02-03015	30	15	M8	23	8	2,5
H-02-03020	30	20	M8	23	8	2,5
H-02-03025	30	25	M8	23	8	2,5
H-02-03030	30	30	M8	23	8	2,5
H-02-03040	30	40	M8	23	8	2,5
H-02-03045	30	45	M8	23	8	2,5
H-02-03085	30	85	M8	23	8	2,5

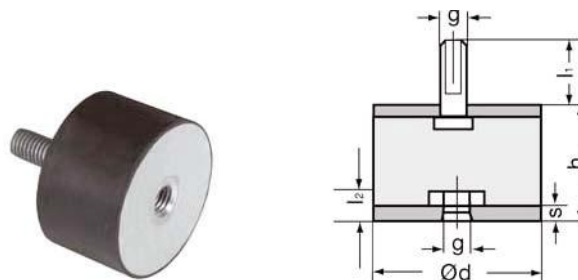
Article no.	Dimensions in mm					
	Ø d	h	g	l1	l2	S
H-02-04020	40	20	M8	23	8	2,5
H-02-04020-M10	40	20	M10	28	10	2,5
H-02-04025-M8	40	25	M8	23	8	2,5
H-02-04035	40	35	M8	23	8	2,5
H-02-04040	40	40	M8	23	8	2,5
H-02-04045	40	45	M8	23	8	2,5
H-02-04550	45	50	M8	23	8	2,5
H-02-05020	50	20	M10	28	10	2,5
H-02-05025	50	25	M10	28	10	2,5
H-02-05030	50	30	M10	28	10	2,5
H-02-05040	50	40	M10	28	10	2,5
H-02-05045	50	45	M10	28	10	2,5
H-02-05050	50	50	M10	28	10	2,5
H-02-05055	50	55	M10	28	10	2,5
H-02-05080	50	80	M10	28	10	2,5
H-02-06030	60	30	M10	28	10	2,5
H-02-06030-M12	60	30	M12	37	12	2,5
H-02-06040	60	40	M10	28	10	2,5
H-02-06040-M12	60	40	M12	37	12	2,5
H-02-06045	60	45	M10	28	10	2,5
H-02-06045 -M12	60	45	M12	37	12	2,5
H-02-06050	60	50	M10	28	10	2,5
H-02-06050-M12	60	50	M12	37	12	2,5
H-02-06060	60	60	M10	28	10	2,5
H-02-06060-M12	60	60	M12	37	12	2,5

Rubber-metal-buffer

Rubber-metal-buffer, Type "B"

With threaded bolt on the one hand,
internal thread on the other hand

Natural rubber in 55° shore -"intermediate"
On request also available 45°, 65°, 70° Shore



Article no.	Dimensions in mm					
	Ø d	h	g	l1	l2	s
H-02-07030	70	30	M10	28	10	2,5
H-02-07040	70	40	M10	28	10	2,5
H-02-07040-M12	70	40	M12	37	12	2,5
H-02-07045	70	45	M10	28	10	2,5
H-02-07045-M12	70	45	M12	37	12	2,5
H-02-07050	70	50	M10	28	10	2,5
H-02-07055	70	55	M10	28	10	2,5
H-02-07055-M12	70	55	M12	37	12	2,5
H-02-07525	75	25	M12	37	12	2,5
H-02-07530	75	30	M12	37	12	2,5
H-02-07540	75	40	M12	37	12	2,5
H-02-07545	75	45	M12	37	12	2,5
H-02-07550	75	50	M12	37	12	2,5
H-02-07555	75	55	M12	37	12	2,5
H-02-07570	75	70	M12	37	12	2,5
H-02-08030	80	30	M12	37	12	2,5
H-02-08040	80	40	M12	37	12	2,5
H-02-08585	85	85	M12	37	12	2,5
H-02-10040	100	40	M16	43	16	2,5
H-02-10050	100	50	M16	43	16	2,5
H-02-10055	100	55	M16	43	16	2,5
H-02-10060	100	60	M16	43	16	2,5
H-02-10075	100	75	M16	43	16	2,5
H-02-10090	100	90	M16	43	16	2,5

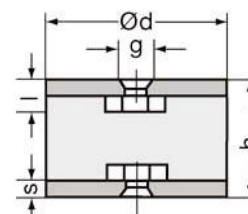
Article no.	Dimensions in mm					
	Ø d	h	g	l1	l2	S
H-02-12570	125	70	M16	43	16	2,5
H-02-12575	125	75	M16	43	16	2,5
H-02-125100	125	100	M16	43	16	2,5
H-02-15050	150	50	M16	43	16	2,5
H-02-15055	150	55	M16	43	16	2,5
H-02-15075	150	75	M16	43	16	2,5
H-02-150150	150	150	M16	43	16	2,5
H-02-150200	150	200	M16	43	16	2,5
H-02-200100	200	100	M20	45	20	2,5
H-02-200250	200	250	M20	45	20	2,5

Rubber-metal-buffer

Rubber-metal-buffer, Type "C"

With internal thread, duplex

Natural rubber in 55° shore - "intermediate"
On request also available 45°, 65°, 70° Shore



Article no.	Dimensions in mm				
	Ø d	h	g	l	S
H-03-0808	8	8	M3	3	2
H-03-01010	10	10	M4	4	2
H-03-01015	10	15	M4	4	2
H-03-01020	10	20	M4	4	2
H-03-01510	15	10	M4	4	2
H-03-01515	15	15	M4	4	2
H-03-01520	15	20	M4	4	2
H-03-01525	15	25	M4	4	2
H-03-02015	20	15	M6	6	2,5
H-03-02020	20	20	M6	6	2,5
H-03-02025	20	25	M6	6	2,5
H-03-02030	20	30	M6	6	2,5
H-03-02520	25	20	M6	6	2,5
H-03-02525	25	25	M6	6	2,5
H-03-02530	25	30	M6	6	2,5
H-03-02540	25	40	M6	6	2,5
H-03-03020	30	20	M8	8	2,5
H-03-03025	30	25	M8	8	2,5
H-03-03030	30	30	M8	8	2,5
H-03-03040	30	40	M8	8	2,5
H-03-04020-M8	40	20	M8	8	2,5
H-03-04025-M8	40	25	M8	8	2,5
H-03-04025-M10	40	25	M10	10	2,5
H-03-04030-M8	40	30	M8	8	2,5
H-03-04030-M10	40	30	M10	10	2,5
H-03-04035-M8	40	35	M8	8	2,5
H-03-04035-M10	40	35	M10	10	2,5
H-03-04040	40	40	M8	8	2,5
H-03-04040-M10	40	40	M10	10	2,5
H-03-04045	40	45	M8	8	2,5
H-03-04050	40	50	M8	8	2,5
H-03-05030	50	30	M10	10	2,5
H-03-05035	50	35	M10	10	2,5

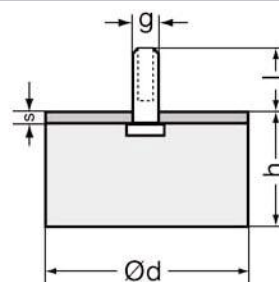
Article no.	Dimensions in mm				
	Ø d	h	g	l	S
H-03-05040	50	40	M10	10	2,5
H-03-05045	50	45	M10	10	2,5
H-03-05050	50	50	M10	10	2,5
H-03-06030-M12	60	30	M12	12	2,5
H-03-06040-M10	60	40	M10	10	2,5
H-03-06040-M12	60	40	M12	12	2,5
H-03-06045-M10	60	45	M10	10	2,5
H-03-06050-M12	60	50	M12	12	2,5
H-03-06060-M10	60	60	M10	10	2,5
H-03-06060-M12	60	60	M12	12	2,5
H-03-07035	70	35	M10	10	2,5
H-03-07040	70	40	M10	10	2,5
H-03-07045-M10	70	45	M10	10	2,5
H-03-07045-M12	70	45	M12	12	2,5
H-03-07050	70	50	M10	10	2,5
H-03-07055	70	55	M10	10	2,5
H-03-07525	75	25	M12	12	2,5
H-03-07530	75	30	M12	12	2,5
H-03-07540	75	40	M12	12	2,5
H-03-07545	75	45	M12	12	2,5
H-03-07550	75	50	M12	12	2,5
H-03-07555	75	55	M12	12	2,5
H-03-07560	75	60	M12	12	2,5
H-03-07570	75	70	M12	12	2,5
H-03-07575	75	75	M12	12	2,5
H-03-10040	100	40	M16	16	3
H-03-10050	100	50	M16	16	3
H-03-10055	100	55	M16	16	3
H-03-10060	100	60	M16	16	3
H-03-10075	100	75	M16	16	3
H-03-100100	100	100	M16	16	3
H-03-100120	100	120	M16	16	3
H-03-12070	120	70	M16	16	3
H-03-12550	125	50	M16	16	4
H-03-12555	125	55	M16	16	4
H-03-15050	150	50	M16	16	4
H-03-15055	150	55	M16	16	4
H-03-15075	150	75	M16	16	4
H-03-16070	160	70	M16	16	4
H-03-200100	200	100	M20	20	6

Rubber-metal-buffer

Rubber-metal-buffer, Type "D"

With threaded bolt, one sized

Natural rubber in 55° shore - "intermediate"
On request also available 45°, 65°, 70° Shore



Article no.	Dimensions in mm				
	Ø d	h	g	L	S
H-04-01008	10	8	M4	11	2
H-04-01010	10	10	M4	11	2
H-04-01015	10	15	M4	11	2
H-04-01310	13	10	M4	11	2
H-04-01415	14	15	M4	11	2
H-04-01504	15	4	M4	11	2
H-04-01506	15	6	M4	11	2
H-04-01507	15	7	M4	11	2
H-04-01508	15	8	M4	11	2
H-04-01510	15	10	M4	11	2
H-04-01512	15	12	M4	11	2
H-04-01513	15	13	M4	11	2
H-04-01515	15	15	M4	11	2
H-04-01520	15	20	M4	11	2
H-04-01525	15	25	M4	11	2
H-04-01528	15	28	M4	11	2
H-04-01530	15	30	M4	11	2
H-04-001805,5	18	5,5	M6	18	2
H-04-001807,5	18	7,5	M6	18	2
H-04-001808,5	18	8,5	M6	18	2
H-04-02005	20	5	M6	18	2,5
H-04-02008	20	8	M6	18	2,5
H-04-02010	20	10	M6	18	2,5
H-04-02012	20	12	M6	18	2,5
H-04-02015	20	15	M6	18	2,5
H-04-02020	20	20	M6	18	2,5
H-04-02025	20	25	M6	18	2,5
H-04-02030	20	30	M6	18	2,5
H-04-02035	20	35	M6	18	2,5
H-04-02065	20	60	M6	18	2,5
H-04-02506	25	6	M6	18	2,5
H-04-02508	25	8	M6	18	2,5
H-04-02510	25	10	M6	18	2,5
H-04-02512	25	12	M6	18	2,5

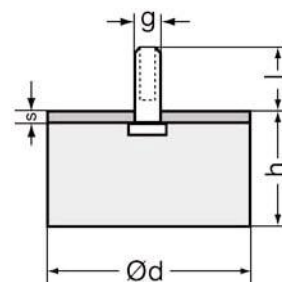
Article no.	Dimensions in mm				
	Ø d	h	g	l	S
H-04-02515	25	15	M6	18	2,5
H-04-02517	25	17	M6	18	2,5
H-04-02520	25	20	M6	18	2,5
H-04-02525	25	25	M6	18	2,5
H-04-02528	25	28	M6	18	2,5
H-04-02530	25	30	M6	18	2,5
H-04-02540	25	40	M6	18	2,5
H-04-02570	25	70	M6	18	2,5
H-04-03005	30	5	M8	23	2,5
H-04-03008	30	8	M8	23	2,5
H-04-03010	30	10	M8	23	2,5
H-04-03015	30	15	M8	23	2,5
H-04-03017	30	17	M8	23	2,5
H-04-03020	30	20	M8	23	2,5
H-04-03025	30	25	M8	23	2,5
H-04-03030	30	30	M8	23	2,5
H-04-03040	30	40	M8	23	2,5
H-04-03080	30	80	M8	23	2,5
H-04-03520	35	20	M8	23	2,5
H-04-03530	35	30	M8	23	2,5
H-04-04010	40	10	M8	23	2,5
H-04-04012	40	12	M8	23	2,5
H-04-04015	40	15	M8	23	2,5
H-04-04020	40	20	M8	23	2,5
H-04-04025	40	25	M8	23	2,5
H-04-04027	40	27	M8	23	2,5
H-04-04028	40	28	M8	23	2,5
H-04-04030	40	30	M8	23	2,5
H-04-04030-M10	40	30	M10	28	2,5

Rubber-metal-buffer

Rubber-metal-buffer, Type "D"

With threaded bolt, one sized

Natural rubber in 55° shore -"intermediate"
On request also available 45°, 65°, 70° Shore



Article no.	Dimensions in mm				
	Ø d	h	g	l	S
H-04-04035	40	35	M8	23	2,5
H-04-04040	40	40	M8	23	2,5
H-04-04040-M10	40	40	M10	28	2,5
H-04-04045	40	45	M8	23	2,5
H-04-04050	40	50	M8	23	2,5
H-04-04055	40	55	M8	23	2,5
H-04-05010	50	10	M10	28	2,5
H-04-05012	50	12	M10	28	2,5
H-04-05015	50	15	M10	28	2,5
H-04-05017	50	17	M10	28	2,5
H-04-05020	50	20	M10	28	2,5
H-04-05025	50	25	M10	28	2,5
H-04-05030	50	30	M10	28	2,5
H-04-05040	50	40	M10	28	2,5
H-04-05045	50	45	M10	28	2,5
H-04-05050	50	50	M10	28	2,5
H-04-05060	50	60	M10	28	2,5
H-04-05080	50	80	M10	28	2,5
H-04-06020-M10	60	20	M10	28	2,5
H-04-06020-M12	60	20	M12	37	2,5
H-04-06030	60	30	M10	28	2,5
H-04-06030-M12	60	30	M12	37	2,5
H-04-06040-M12	60	40	M12	37	2,5
H-04-06050-M10	60	50	M10	28	2,5
H-04-06050-M12	60	50	M12	37	2,5
H-04-06060-M12	60	60	M12	37	2,5
H-04-07025	70	25	M10	28	2,5
H-04-07040	70	40	M10	28	2,5
H-04-07040-M12	70	40	M12	37	2,5

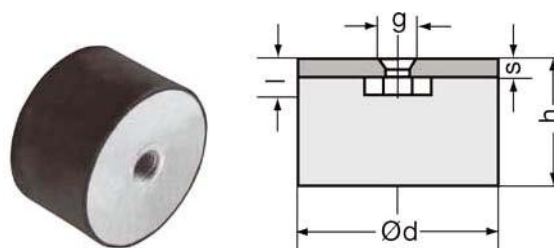
Article no.	Dimensions in mm				
	Ø d	h	g	l	S
H-04-07045	70	45	M10	28	2,5
H-04-07045-M12	70	45	M12	37	2,5
H-04-07050-M10	70	50	M10	28	2,5
H-04-07050-M12	70	50	M12	37	2,5
H-04-07515	75	15	M12	37	2,5
H-04-07520	75	20	M12	37	2,5
H-04-07525	75	25	M12	37	2,5
H-04-07540	75	40	M12	37	2,5
H-04-07545	75	45	M12	37	2,5
H-04-07550	75	50	M12	37	2,5
H-04-07555	75	55	M12	37	2,5
H-04-07560	75	60	M12	37	2,5
H-04-07570	75	70	M12	37	2,5
H-04-10025	100	25	M16	43	3
H-04-10036	100	36	M16	43	3
H-04-10040	100	40	M16	43	3
H-04-10050	100	50	M16	43	3
H-04-10055	100	55	M16	43	3
H-04-10060	100	60	M16	43	3
H-04-10075	100	75	M16	43	3
H-04-100100	100	100	M16	43	3
H-04-15050	150	50	M16	43	4
H-04-15055	150	55	M16	43	4
H-04-15075	150	75	M16	43	4
H-04-200200-M16	200	200	M16	43	6

Rubber-metal-buffer

Rubber-metal-buffer, Type "E"

With internal threads, one sized

Natural rubber in 55° shore - "intermediate"
On request also available 45°, 65°, 70° Shore



Article no.	Dimensions in mm				
	Ø d	h	g	l	S
H-05-0808	8	8	M3	3	2
H-05-01508	15	8	M4	4	2
H-05-01515	15	15	M4	4	2
H-05-01520	15	20	M4	4	2
H-05-01525	15	25	M4	4	2
H-05-01530	15	30	M4	4	2
H-05-02011	20	11	M6	6	2,5
H-05-02013,5	20	13,5	M6	6	2,5
H-05-02015	20	15	M6	6	2,5
H-05-02020	20	20	M6	6	2,5
H-05-02025	20	25	M6	6	2,5
H-05-02030	20	30	M6	6	2,5
H-05-02515	25	15	M6	6	2,5
H-05-02520	25	20	M6	6	2,5
H-05-02525	25	25	M6	6	2,5
H-05-02530	25	30	M6	6	2,5
H-05-03015	30	15	M8	8	2,5
H-05-03017	30	17	M8	8	2,5
H-05-03020	30	20	M8	8	2,5
H-05-03025	30	25	M8	8	2,5
H-05-03028	30	28	M8	8	2,5
H-05-03030	30	30	M8	8	2,5
H-05-03040	30	40	M8	8	2,5
H-05-04015-M8	40	15	M8	8	2,5
H-05-04020-M8	40	20	M8	8	2,5
H-05-04020-M10	40	20	M10	10	2,5
H-05-04025-M8	40	25	M8	8	2,5
H-05-04025-M10	40	25	M10	10	2,5
H-05-04028	40	28	M8	8	2,5
H-05-04030-M8	40	30	M8	8	2,5
H-05-04030-M10	40	30	M10	10	2,5
H-05-04035	40	35	M8	8	2,5
H-05-04040-M8	40	40	M8	8	2,5
H-05-04040-M10	40	40	M10	10	2,5
H-05-04045-M8	40	45	M8	8	2,5
H-05-05020	50	20	M10	10	2,5
H-05-05025	50	25	M10	10	2,5
H-05-05030	50	30	M10	10	2,5
H-05-05040	50	40	M10	10	2,5
H-05-05045	50	45	M10	10	2,5
H-05-05050	50	50	M10	10	2,5
H-05-05080	50	80	M10	10	2,5

Article no.	Dimensions in mm				
	Ø d	h	g	l	S
H-05-06020-M12	60	20	M12	12	2,5
H-05-06030-M12	60	30	M12	12	2,5
H-05-06030-M16	60	30	M16	16	2,5
H-05-06040-M10	60	40	M10	10	2,5
H-05-06040-M12	60	40	M12	12	2,5
H-05-06050-M12	60	50	M12	12	2,5
H-05-06060-M12	60	60	M12	12	2,5
H-05-07040-M12	70	40	M12	12	2,5
H-05-07045-M10	70	45	M10	10	2,5
H-05-07050-M12	70	50	M12	12	2,5
H-05-07055	70	55	M10	10	2,5
H-05-07515	75	15	M12	12	2,5
H-05-07525	75	25	M12	12	2,5
H-05-07530	75	30	M12	12	2,5
H-05-07540-M12	75	40	M12	12	2,5
H-05-07540-M16	75	40	M16	16	2,5
H-05-07545	75	45	M12	12	2,5
H-05-07550	75	50	M12	12	2,5
H-05-07555	75	55	M12	12	2,5
H-05-07570	75	70	M12	12	2,5
H-05-10036	100	36	M16	16	3
H-05-10040	100	40	M16	16	3
H-05-10050	100	50	M16	16	3
H-05-10055	100	55	M16	16	3
H-05-10060	100	60	M16	16	3
H-05-10075	100	75	M16	16	3
H-05-100100	100	100	M16	16	3
H-05-12550	125	50	M16	16	4
H-05-125100	125	100	M16	16	4
H-05-15050-M16	150	50	M16	16	4
H-05-15055-M16	150	55	M16	16	4
H-05-15075-M16	150	75	M16	16	4
H-05-15075-M20	150	75	M20	4	
H-05-200100-M16	200	100	M16	16	6

Further materials and surface finishes on demand. We will be pleased to give you advice.

Phone: +49 (0) 231 / 725 790 -0
Fax: +49 (0) 231 / 725 790 -10

eMail: info@hokon-verschlusstechnik.de
Homepage: www.hokon-verschlusstechnik.de



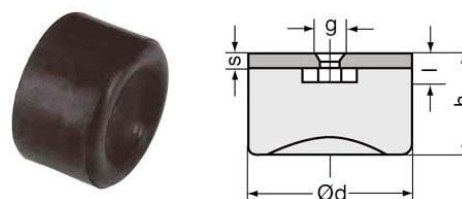
Rubber-metal-buffer

Rubber-metal-buffer, Type „ES“

With suction cup and internal thread, on the one hand

Natural rubber in 55° shore -"intermediate"

On request also available in 45°, 65°, 70° Shore



Article no.	Dimensions in mm				
	Ø d	h	g	l	S
H-ES-20x23,5	20	23,5	M6	6	2,5
H-ES-25x18,5	25	18,5	M6	6	2,5
H-ES-25x20	25	20	M6	6	2,5
H-ES-30x10	30	10	M8	8	2,5
H-ES-30x28,5	30	28,5	M8	8	2,5

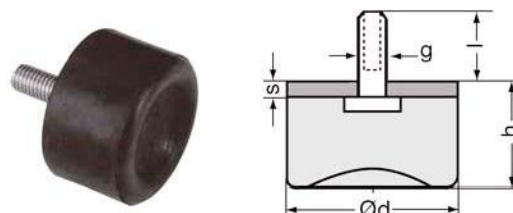
Article no.	Dimensions in mm				
	Ø d	h	g	l	S
H-ES-40x28	40	28	M8	8	2,5
H-ES-50x28,5	50	28,5	M10	10	2,5
H-ES-70x30	70	30	M10	10	2,5
H-ES-100x50	100	50	M16	16	3

Rubber-metal-buffer, Type "DS"

With suction cup and threaded bolts, one-sided

Natural rubber in 55° shore -"intermediate"

On request also available in 45°, 65°, 70° Shore



Article no.	Dimensions in mm				
	Ø d	h	g	l	S
H-DS-20x23,5	20	23,5	M6	18	2,5
H-DS-25x18,5	25	18,5	M6	18	2,5
H-DS-25x20	25	20	M6	18	2,5
H-DS-30x10	30	10	M8	23	2,5
H-DS-30x28,5	30	28,5	M8	23	2,5
H-DS-40x28	40	28	M8	23	2,5

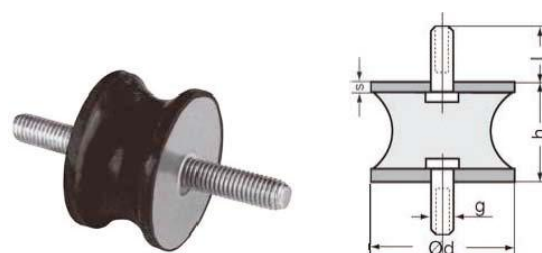
Article no.	Dimensions in mm				
	Ø d	h	g	l	S
H-DS-50x28,5	50	28,5	M10	28	2,5
H-DS-70x30	70	30	M10	28	2,5
H-DS-70x43	70	43	M12	37	2,5
H-DS-75x37	75	37	M12	37	2,5
H-DS-100x50	100	50	M16	43	3

Rubber-metal-buffer, Type "TA"

waisted, with threaded bolts, duplex

Natural rubber in 55° shore -"intermediate"

On request also available in 45°, 65°, 70° Shore



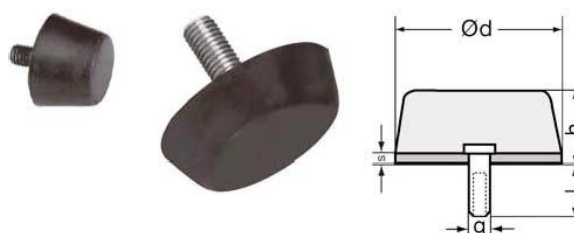
Article no.	Dimensions in mm				
	Ø d	h	g	l	S
H-T-15x15	15	15	M4	13	2
H-T-15x30	15	30	M4	13	2
H-T-18x12	18	12	M6	18	2
H-T-20x15	20	15	M6	18	2,5
H-T-25x20	25	20	M6	18	2,5
H-T-30x15	30	15	M8	23	2,5
H-T-30x20	30	20	M8	23	2,5
H-T-30x25	30	25	M8	23	2,5
H-T-30x30	30	30	M8	23	2,5
H-T-30x40	30	40	M8	23	2,5

Article no.	Dimensions in mm				
	Ø d	h	g	l	S
H-T-40x30	40	30	M8	23	2,5
H-T-40x48	40	48	M8	23	2,5
H-T-40x50	40	50	M8	23	2,5
H-T-50x30	50	30	M10	28	2,5
H-T-50x40	50	40	M10	28	2,5
H-T-60x50	60	50	M10	28	2,5
H-T-60x65	60	65	M10	28	2,5
H-T-75x35	75	35	M12	37	2,5
H-T-75x40	75	40	M12	37	2,5
H-T-100x75	100	75	M16	43	3

Rubber-metal-buffer

Rubber-metal-buffer, Type "K"
Conical, with threaded bolts, one-sided

Natural rubber in 55° shore -"intermediate"
On request also available in 45°, 65°, 70° Shore

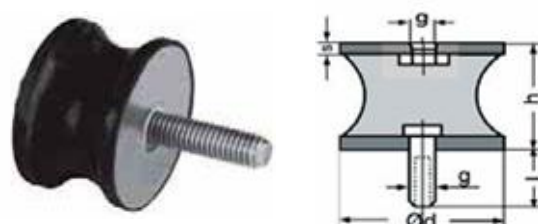


Article no.	Dimensions in mm				
	Ø d	h	g	l	S
H-K-08x07	8	7	M4	8	2
H-K-015x10	15	10	M4	10	2
H-K-01512	15	12	M4	13	2
H-K-020x17	20	17	M5	18	2,5
H-K-20,5x13	20	13	M8	20	2,5
H-K-025x05	25	5	M6	18	2,5
H-K-025x12	25	12	M6	18	2,5
H-K-025x15	25	15	M4	13	2,5
H-K-025x17	25	17	M6	18	2,5
H-K-025x20	25	20	M6	18	2,5
H-K-025x22	25	22	M6	13	2,5
H-K-025x28	25	28	M6	18	2,5
H-K-025x35	25	35	M6	18	2,5

Article no.	Dimensions in mm				
	Ø d	h	g	l	S
H-K-030x15	30	15	M8	23	2,5
H-K-030x20	30	20	M8	23	2,5
H-K-030x25	30	25	M8	23	2,5
H-K-030x28	30	28	M8	23	2,5
H-K-030x40	30	40	M8	23	2,5
H-K-035x40	35	40	M8	23	2,5
H-K-040x25	40	25	M10	28	2,5
H-K-050x17	50	17	M10	28	2,5
H-K-050x18	50	18	M10	28	2,5
H-K-050x20	50	20	M10	28	2,5
H-K-050x30	50	30	M10	28	2,5
H-K-050x40	50	40	M10	28	2,5
H-K-050x55	50	55	M10	28	2,5
H-K-80x28	80	28	M12	37	2,5

Rubber-metal-buffer, Type "TB"
This article is only available on request.
waisted, with threaded bolts and internal thread

Natural rubber in 55° shore -"intermediate"
On request also available in 45°, 65°, 70° Shore



Article no.	Dimensions in mm				
	Ø d	h	g	l	S
H-T02-15x15	15	15	M4	13	2
H-T02-15x30	15	30	M4	13	2
H-T02-18x12	18	12	M6	18	2
H-T02-20x15	20	15	M6	18	2,5
H-T02-25x20	25	20	M6	18	2,5
H-T02-30x15	30	15	M8	23	2,5
H-T02-30x20	30	20	M8	23	2,5
H-T02-30x25	30	25	M8	23	2,5
H-T02-30x30	30	30	M8	23	2,5
H-T02-30x40	30	40	M8	23	2,5

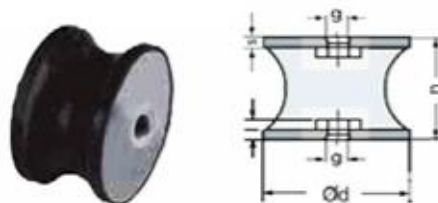
Article no.	Dimensions in mm				
	Ø d	h	g	l	S
H-T02-40x30	40	30	M8	23	2,5
H-T02-40x48	40	48	M8	23	2,5
H-T02-40x50	40	50	M8	23	2,5
H-T02-50x30	50	30	M10	28	2,5
H-T02-50x40	50	40	M10	28	2,5
H-T02-60x50	60	50	M10	28	2,5
H-T02-60x65	60	65	M10	28	2,5
H-T02-75x35	75	35	M12	37	2,5
H-T02-75x40	75	40	M12	37	2,5
H-T02-100x75	100	75	M16	43	3

Rubber-metal-buffer

Rubber-metal-buffer, Type "TC"

This article is only available on request.
waisted, with internal thread, duplex

Natural rubber in 55° shore -"intermediate"
On request also available in 45°, 65°, 70° Shore



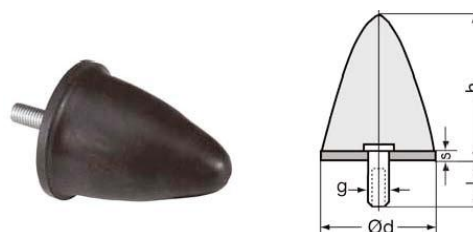
Article no.	Dimensions in mm				
	Ø d	h	g	l	S
H-T03-15x15	15	15	M4	4	2
H-T03-15x30	15	30	M4	4	2
H-T03-20x15	20	15	M6	6	2,5
H-T03-25x20	25	20	M6	6	2,5
H-T03-30x20	30	20	M8	8	2,5
H-T03-30x25	30	25	M8	8	2,5
H-T03-30x30	30	30	M8	8	2,5
H-T03-30x40	30	40	M8	8	2,5
H-T03-40x30	40	30	M8	8	2,5

Article no.	Dimensions in mm				
	Ø d	h	g	l	S
H-T03-40x48	40	48	M8	8	2,5
H-T03-40x50	40	50	M8	8	2,5
H-T03-50x30	50	30	M10	10	2,5
H-T03-50x40	50	40	M10	10	2,5
H-T03-60x50	60	50	M10	10	2,5
H-T03-60x65	60	65	M10	10	2,5
H-T03-75x35	75	35	M12	12	2,5
H-T03-75x40	75	40	M12	12	2,5
H-T03-100x75	100	75	M16	16	3

Rubber-metal-buffer, Type "P"

parabolic, with threaded bolts, one-sided
With internal thread on request.

Natural rubber in 55° shore -"intermediate"
On request also available in 45°, 65°, 70° Shore



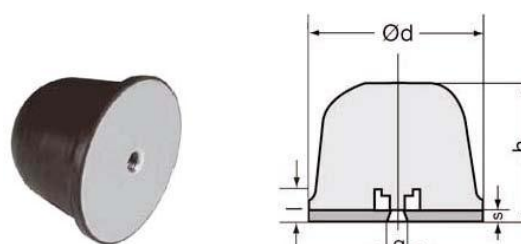
Article no.	Dimensions				
	Ø d	h	g	l	S
H-P-15x15	15	15	M4	13	2
H-P-20x24	20	24	M6	18	2,5
H-P-25x15	25	15	M6	18	2,5
H-P-25x19	25	19	M6	18	2,5
H-P-30x36	30	36	M8	23	2,5
H-P-32x36	32	36	M8	23	2,5

Article no.	Dimensions in mm				
	Ø d	h	g	l	S
H-P-50x58	50	58	M10	28	2,5
H-P-50x65	50	65	M10	28	2,5
H-P-75x89	75	89	M12	37	2,5
H-P-95x83	95	83	M16	43	2,5
H-P-115x136	115	136	M16	42	3

Rubber-metal-buffer, Type "KE"

conical, with internal thread, one-sided
With external thread on request.

Natural rubber in 55° shore -"intermediate"
On request also available in 45°, 65°, 70° Shore



Article no.	Dimensions in mm				
	Ø d	h	g	l	S
H-KE-50x35	50	35	M10	10	2,5
H-KE-80x60	80	60	M12	12	2,5
H-KE-125x90	125	90	M16	16	4

Rubber-metal-buffer

Rubber-metal-buffer

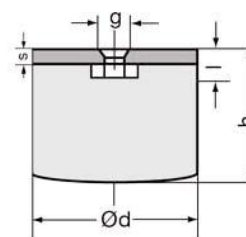
“crane-bump stop”

With internal thread, one-sided

With external thread on request.

Natural rubber in 55° shore -"intermediate"

On request also available in 45°, 65°, 70° Shore



Article no.	Dimensions in mm				
	Ø d	h	g	l	S
H-KRA-50x35	50	35	M10	10	2,5
H-KRA-50x40	50	40	M10	10	2,5
H-KRA-63x50	63	50	M10	10	2,5
H-KRA-80x66	80	66	M12	12	2,5
H-KRA-100x84	100	84	M16	16	3

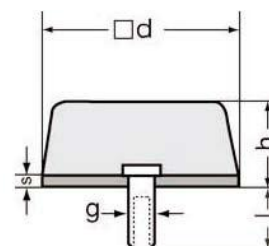
Article no.	Dimensions in mm				
	Ø d	h	g	l	S
H-KRA-125x104	125	104	M16	16	4
H-KRA-160x131	160	131	M16	16	4
H-KRA-200x166	200	166	M20	20	6
H-KRA-250x208	250	208	M20	20	6

Rubber-metal-puffer, Type “KV”

Conical, with threaded bolts, one-sided

Natural rubber in 55° shore -"intermediate"

On request also available in 45°, 65°, 70° Shore



Article no.	Dimensions in mm					
	Length	Wide	h	g	l	s
H-KV-80x25	80	80	25	M12	37	2,5
H-KV-80x30	80	80	30	M12	37	2,5

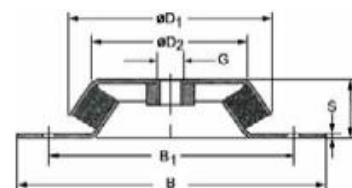
Rubber-metal-elements

“maschine feed, square, 4-hole”

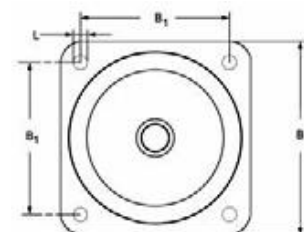
With internal thread, one-sided

Natural rubber in 55° shore -"intermediate"

On request also available in 45°, 65°, 70° Shore



Article no.	Dimensions in mm							
	B	B1	Ø L	D1	Ø D2	G	S	H
H-MF-184	184	150	13	177	126	M20	4,5	63
H-MF-168	168	132	12,5	150	110	M16	4	51,5

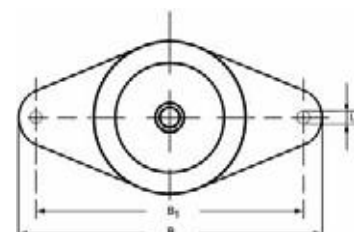
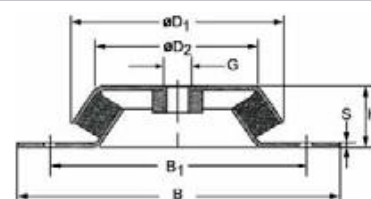


Rubber-metal-buffer

Rubber-metal-elements
"maschine feed, oval, 2-hole"
With internal thread, one-sided

Natural rubber in 55° shore -"intermediate"
On request also available in 45°, 65°, 70° Shore

Article no.	Dimensions in mm							
	B	B1	Ø L	D1	Ø D2	G	S	H
H-MF-170	170	140	13	106	88,5	M12	3	39
H-MF-128	128	110	6	78	60,5	M10	2	30



Rubber-metal-elements
"maschine feed oval, 2-hole"
With

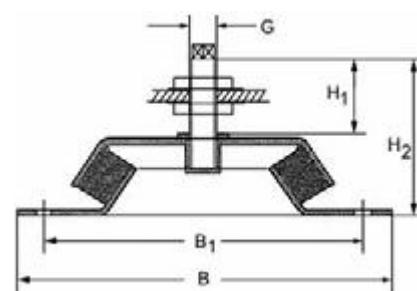
Natural rubber in 55° shore -"intermediate"
On request also available in 45°, 65°, 70° Shore

Article no.	Dimensions in mm							
	B	B1	Ø L	D1	Ø D2	G	S	H
H-MF-170A	170	140	13	106	88,5	M12	3	39
H-MF-128A	128	110	6	78	60,5	M10	2	30

Rubber-metal-elements
"maschine feed square, 4-hole"
With height adjustment

Natural rubber in 55° shore -"intermediate"
On request also available in 45°, 65°, 70° Shore

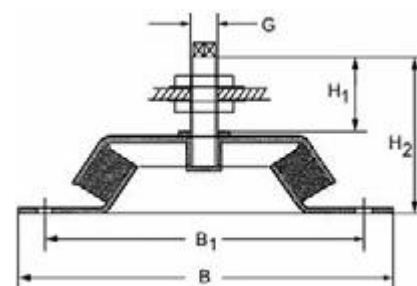
Article no.	Dimensions in mm						
	B	B1	Ø L	G	H1	H2	
H-MF-184H	184	150	13	M20x2	147	80	
H-MF-168H	168	132	12,5	M20x2	135	80	



Rubber-metal-elements
"maschine feed oval, 2-hole"
Execution, with height adjustment"

Natural rubber in 55° shore -"intermediate"
On request also available in 45°, 65°, 70° Shore

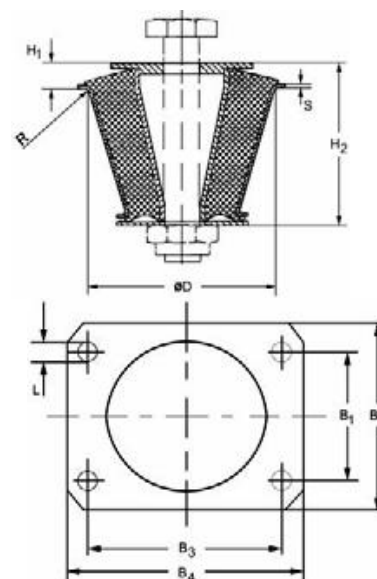
Article no.	Dimensions in mm						
	B	B1	Ø L	G	H1	H2	
H-MF-170H	170	140	13	M16x1,5	106	65	
H-MF-128H	128	110	6	M16x1,5	97	68	



Rubber-metal-buffer

Rubber-metal-elements "conus bearing"

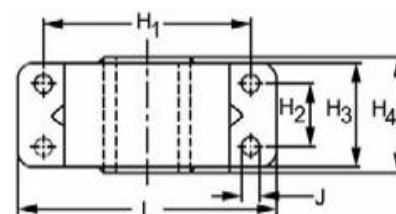
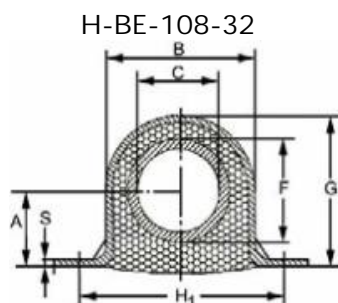
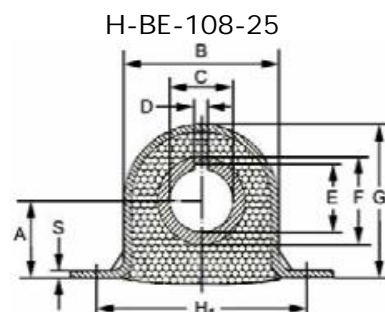
Natural rubber in 55° shore -"intermediate"
On request also available in 45°, 65°, 70° Shore



Article no.	Dimensions in mm									
	H1	H2	S	R	Ø D	L	B1	B2	B3	B4
H-KL-140120	23	95	4,5	4	109	11	92	120	112	140
H-KL-120100	20	81	4,3	4	93	11	74	100	90	120
H-KL-107090	19,5	56	3,5	3	78	11	65	90	80	107

Rubber-metal-elements "clip-elements"

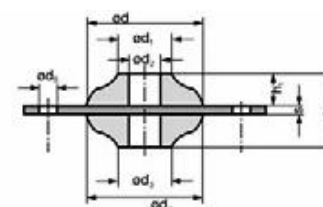
Natural elements in 55° shore -"intermediate"
On request also available in 45°, 65°, 70° Shore



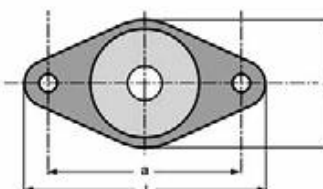
Article no.	Dimensions in mm													
	A	B	C	D	E	F	G	H1	H2	H3	H4	J	L	S
H-BE-108-25	27,5	62	25	6	27,5	35	58,5	85	24	40	45	8,5	108	3,5
H-BE-108-32	27,5	62	32	-	-	40	58,5	85	25	40	45	9	108	3,5

Rubber-metal-elements "flange-elements"

Natural rubber in 55° shore -"intermediate"
On request also available in 45°, 65°, 70° Shore



Article no.	Dimensions in mm											
	Ø d	h	l	Ø d1	Ø d2	Ø d3	Ø d4	a	b	h1	Ø d5	S
H-FE-721	68	49	117	39	16	37	65	94	71	28	9	5

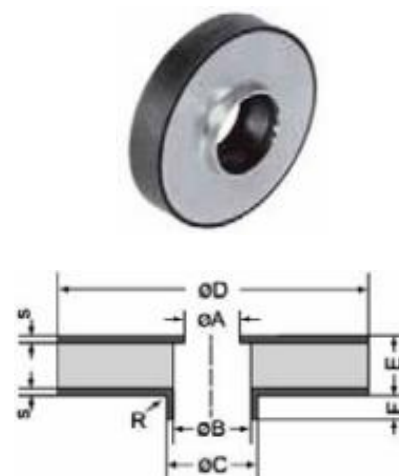


Rubber-metal-buffer

Rubber-metal-elements "ring-element"

Natural rubber in 55° shore -"intermediate"
On request also available in 45°, 65°, 70° Shore

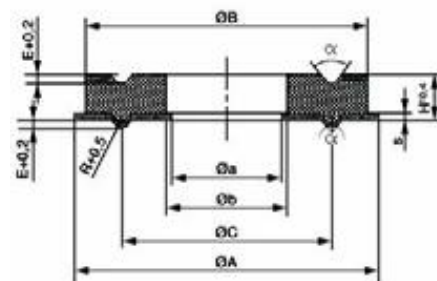
Article no.	Dimensions in mm							
	Ø D	Ø A	Ø B	Ø C	E	F	s	R
H-R-36x10	36	8,5	12	17	10	3	1,5	1
H-R-36x12	36	8,5	12	18	12	4	1	1
H-R-41x15,5	41	8,5	15	17	20	5	1	1
H-R-50x16,5	50	16,5	20	23	13	9,5	1,5	2,5
H-R-60x12	60	20,5	24	27	13	10,5	1,5	2,5



Rubber-metal-elements "spring washers"

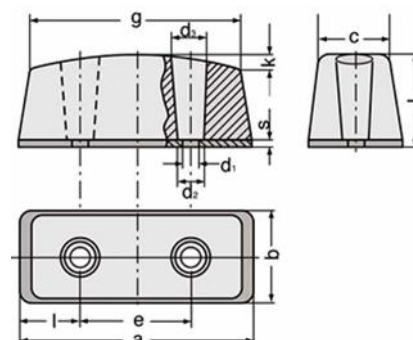
Natural rubber in 55° shore -"intermediate"
On request also available in 45°, 65°, 70° Shore

Article no.	Dimensions in mm										
	Ø A	Ø a	Ø B	Ø b	Ø C	H	s	E	α	R	r
H-FS-6511	65	26	62	30	46	11	1	2,5	60	2	0,5
H-FS-9510	95	45	90	50	70	10,5	1,5	2,5	60	2,5	1
H-FS-10027	100	35	90	40	64	27,5	1,5	3,5	60	3	1
H-FS-11015	110	40	102	44	76	15,8	1,75	3,5	60	3	1
H-FS-13016	130	55	123	60	90	16	2	5	60	4	2
H-FS-15330	153	55	145	60	102	30	2	5	60	4	2
H-FS-16423	164	60	156	64	110	23	2	4	60	4	2
H-FS-21020	210	95	200	100	154	20	2	6	60	6	1,2
H-FS-22062	220	66	200	100	154	62	2	6	60	6	1,2
H-FS-24025	240	70	230	76	154	25	2	6	60	5	2



Rubber-metal-elements "gear-buffer"

Natural rubber in 55° shore -"intermediate"
On request also available in 45°, 65°, 70° Shore



Article no.	Dimensions in mm											
	a	b	d1	d2	d3	e	g	l	k	s	C	L
H-RP-35	80	40	7	11	15	45	75	17,5	5	4	35	45
H-RP-45	150	60	11,5	18	24	70	134	40	9	4	45	59
H-RP-80	200	100	13,5	21	28	90	168	55	12	4	80	100
H-RP-100	250	125	13,5	21	32	100	212	75	20	4	100	135

Rubber-metal-buffer

Load table for miscellaneous types with different rubber hardness

The given acceptable loads constitute only approximate values for statical loads

Hard: ca. 70 Shore A

Middle: ca. 55 Shore A

Soft: ca. 45 Shore

Article no.: H-01... type A

Dimensions in mm				Compressive stresses						Shoe stresses					
				Spring rate c ₂ in N/mm			Acceptable load F in N			Spring rate c x/y in N/mm			Acceptable load F in N		
D	H	G	L	Hard	Middle	Soft	Hard	Middle	Soft	Hard	Middle	Soft	Hard	Middle	Soft
20	15	M6	18	300	190	120	500	320	200	60	40	30	190	120	70
30	15	M8	23	670	410	250	1100	700	400	90	60	40	350	210	130
30	30	M8	23	240	150	100	900	570	340	50	30	20	430	280	170
40	30	M8	23	480	300	170	1800	1110	670	90	60	30	770	500	250
50	20	M10	28	2400	1500	900	5000	3190	1870	240	160	100	1200	770	460
50	40	M10	28	600	380	220	2800	1750	1050	120	80	50	1280	800	460
75	25	M12	37	5000	2900	1700	12800	8000	4700	410	260	160	2800	1750	1030
75	55	M12	37	650	400	240	4700	3000	1750	130	80	50	2100	1300	800
100	40	M16	43	3000	1900	1100	15200	9500	5600	370	220	140	4450	2770	1650
100	55	M16	43	1600	1120	700	12900	8000	4800	300	190	130	4450	2770	1650
100	75	M16	43	1250	710	430	10100	6130	3710	250	160	90	4400	2700	1600
150	75	M16	43	2900	1900	1200	17500	10600	6500	490	310	210	6130	3910	2150
150	75	M20	43	2900	1900	1200	17500	10600	6500	490	310	210	6130	3910	2150
200	100	M20	46	3510	2490	1450	32600	20050	12160	520	380	220	11900	7120	4260

Article no. H-02... type B

Dimensions in mm				Compressive stresses						Shoe stresses					
				Spring rate c ₂ in N/mm			Acceptable load F in N			Spring rate c x/y in N/mm			Acceptable load F in N		
D	H	G	L	Hard	Middle	Soft	Hard	Middle	Soft	Hard	Middle	Soft	Hard	Middle	Soft
25	20	M6	18	320	160	120	490	320	190	70	45	25	230	160	90
30	20	M8	23	660	430	260	830	520	310	100	75	50	330	210	130
30	30	M8	23	350	220	130	750	450	280	70	50	30	350	220	130
40	30	M8	23	550	350	210	1250	750	450	110	70	40	520	330	200
50	40	M10	28	560	370	220	2100	1270	760	120	80	45	930	580	350
50	50	M10	28	350	220	130	1750	1100	650	80	50	30	800	510	310
75	50	M12	37	950	630	330	4700	2910	1720	180	120	80	1900	1200	710
100	40	M16	43	3300	1700	1200	6800	4300	2600	450	250	150	2300	1400	850
100	75	M16	43	1100	700	410	7400	4500	2700	210	120	70	2900	1910	1090

Article no. H-03... type C

Dimensions in mm				Compressive stresses						Shoe stresses					
				Spring rate c ₂ in N/mm			Acceptable load F in N			Spring rate c x/y in N/mm			Acceptable load F in N		
D	H	G	L	Hard	Middle	Soft	Hard	Middle	Soft	Hard	Middle	Soft	Hard	Middle	Soft
20	25	M6	6	200	130	80	300	190	120	50	30	20	150	90	60
30	30	M8	8	590	380	220	720	450	270	90	60	50	260	170	110
40	30	M8	8	900	570	340	1080	680	410	150	90	60	380	240	140
50	30	M10	10	1700	1090	650	2500	1750	950	210	150	70	470	290	170
50	50	M10	10	360	220	140	1390	870	520	80	40	30	610	390	230
75	50	M12	12	1010	630	370	3650	2050	1200	200	130	80	1560	980	580
100	75	M16	16	1300	800	480	4700	2900	1690	210	140	70	1950	1250	700
150	75	M16	16	2650	1650	980	14800	9100	5500	430	270	170	5450	3400	2010
200	100	M20	20	3500	2300	1300	33300	20700	12900	510	330	210	11000	6810	4000

Rubber-metal-buffer

Load table for miscellaneous types with different rubber hardness

The given acceptable loads constitute only approximate values for statical loads

Middle: ca. 55 Shore A
Article no. H-04... type D

Dimensions in mm				Compressive stresses	
D	H	G	L	Spring rate c 2 in N/mm	Acceptable load F in N
				Middle	Middle
18	7,5	M4	11	340	240
25	20	M6	18	150	260
30	20	M8	23	330	730
40	30	M8	23	250	950
50	20	M10	28	660	1750
75	25	M12	37	1430	4650
100	40	M16	43	1450	7850
200	100	M20	43	2000	18000

Article no.: H-05... type E

Dimensions in mm			Compressive stresses	
d	h	ig	Spring rate c 2 in N/mm	Acceptable load F in N
			Middle	Middle
20	15	M6	200	240
30	15	M8	580	660
40	30	M8	360	940
50	20	M10	740	1150
75	25	M12	1730	3250
100	40	M16	1450	5030
150	75	M16	1510	12240
200	100	M20	2200	23000

Rubber-metal-buffer

Overview of materials

According to ASTM-D 1418-76

● = deliverable material

			Polymer	Varied trade names
●	1	NR	Natural caoutchouc	
	2	IR	Isoprene caoutchuc	Natsyn, Criflex IR
●	3	SBR	Styrene butadiene caoutchuc	Buna Hüls, Polysar S, Soprene
	4	BR	Butadiene caoutchuc	Buna CB, Polybutadien K
●	5	IIR	Butyl caoutchuc	Poysar Butyl, Esso-Butyl
●	6	EPDM	Ethylene-propylene terpolymerisat	Keltan, Buna AP, Dutral
●	7	NBR	Acrylonitrile butadiene caoutchuc	Perbunan, Polysar-Krynac
	8	CO, ECO	Epichlorhydrin caoutchuc	Herclor, Hydrin
●	9	CR	Chloroprene caoutchuc	Baypren, Neoprene
	10	CSM	Chlorosulfonated polyethylene	Hypalon
	11	AU, EU	Urethane caoutchuc	Urepan, Adiprene C
	12	T	Polysulfide caoutchuc	Thiokol
	13	SI	Silicone caoutchuc	Silopren
	14	FSI	Fluorine-silicone caoutchuc	Silastic
	15	FKM	Fluorine caoutchuc	Viton, Fluorel, Tecnoflon
	16	ACM	Polyacrylate caoutchuc	Hycar
	17	PUR	Polyurethane	Vulkollan
	18	PTEE	Polytetrafluoroethylene	Teflon, Hostafilon

Overview table

Qualities of the individual materials

Qualities	NR	IR	SBR	BR	IIR	EPDM	NBR	ECO	CR	CSM	AU	T	SI	FSI	FKM	ACM	PUR	PTFE
Tear resistance non-reinforced	1	2	5	6	4	5	5	5	3	5	2	6	6	6	5	6	1	1
Tear resistance reinforced	1	2	2	4	3	3	2	3	2	3	1	5	4	4	3	3	-	1
Elongation at break	1	1	2	3	2	3	2	3	2	3	2	4	4	4	3	3	2	3
Rebound elasticity	2	2	3	1	6	3	3	2	3	4	3	4	3	3	5	5	2	x
Abrasion resistance	2	2	2	1	3	3	2	3	2	3	1	5	5	5	4	4	1	3
Initial tear resistance	2	2	3	5	3	3	3	3	2	4	3	4	6	6	3	4	1	2
Electrical resistance	1	1	2	2	2	2	4	5	3	4	3	3	1	1	4	4	2	1
Temperature range, hot +°C	90	90	100	100	140	150	130	145	120	130	120	140	200	200	220	160	80	260
Temperature range, cold -°C	50	40	40	60	40	40	40	40	30	40	20	30	80	80	25	20	35	190
Ageing resistance	3	3	3	3	2	1	3	2	2	2	2	3	1	1	1	2	1	1
Ozone resistance	4	4	4	3	2	1	3	2	2	2	2	2	1	1	1	2	1	1
Petrol resistance	6	6	4	5	6	5	1	1	2	2	1	1	5	1	1	1	2	1
Oil and fat resistance	6	6	5	6	6	4	1	1	2	2	4	4	4	4	4	4	2	1
Acid resistance	3	3	3	3	2	1	4	5	2	2	5	4	5	4	1	5	6	1
Mineral oil resistance	3	3	3	3	2	2	3	5	2	2	5	3	5	4	1	5	6	1
Hot water	3	3	2	3	1	2	3	4	3	3	5	3	5	4	2	5	6	1

1 = excellent,

2 = very good, 3 = good,

4 = moderate,

5 = low,

6 = insufficient,

x = no comparison with elastomer