



## hood catches

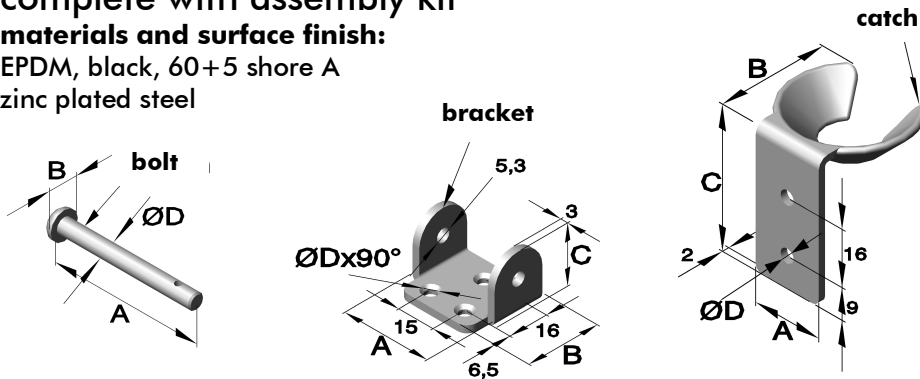
### art. no.: 7020 „hood catches big“

complete with assembly kit

materials and surface finish:

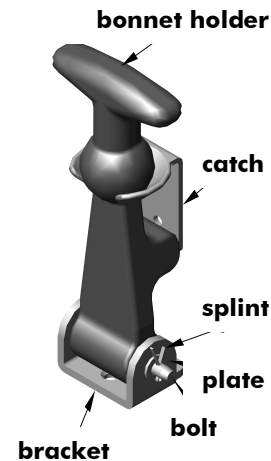
EPDM, black, 60+5 shore A

zinc plated steel



delivery of individual parts is possible

article no.		description	Dimensions in mm			
series	material		A	B	C	Ø D
7001	EPDM, black	hood catches	60	26	124	5
7005	zinc plated steel	catch	20	29	42	4,2
7006	zinc plated steel	bracket	30	30	24	4,2
7007	zinc plated steel	bolts	47	9	-	5
7008	zinc plated steel	plate	-	-	-	-
7009	zinc plated steel	splint	-	-	-	-



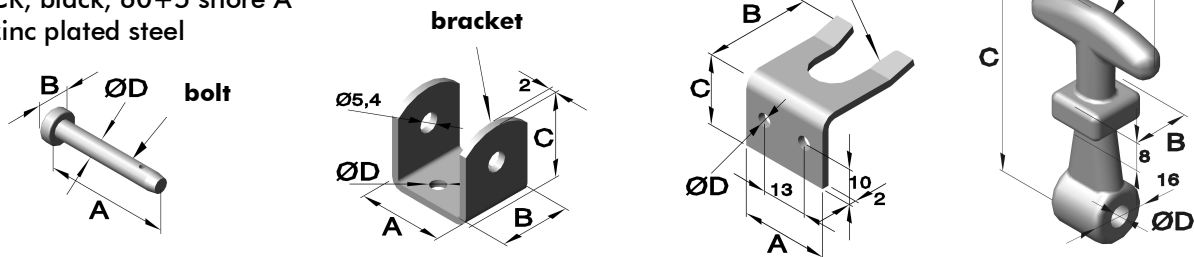
### art. no.: 7050 „hood catches small“

complete with assembly kit

materials and surface finish:

CR, black, 60+5 shore A

zinc plated steel



delivery of individual parts is possible

article no.		description	dimensions in mm			
series	material		A	B	C	Ø D
7030	CR, black	hood catches	40	16	64	5
7035	zinc plated steel	catch	24	20	24	4,2
7036	zinc plated steel	bracket	24	20	24	4,2
7037	zinc plated steel	bolts	35	9	-	5
7038	zinc plated steel	plate	-	-	-	-
7039	zinc plated steel	splint	-	-	-	-

