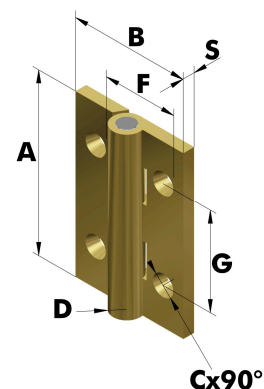


Hinges

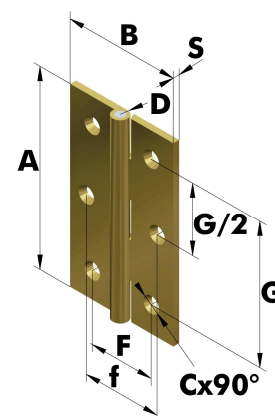
Art. no.: **6018** (drilled and countersunk)
with fixed stainless-steel pin

Article no.			Dimensions in mm								
Series	Execution	Material	A	B	C Ø	D	F	G	S	Pin Ø	
		Raw									
		Brass									
6018	.03	.20	30	20	2,5	5	12,5	16,5	2	3	
6018	.04	.20	30	30	2,5	5	19	17	2	3	



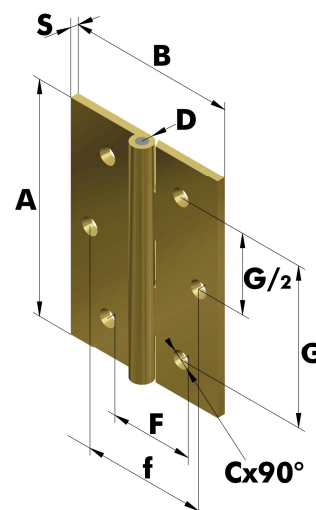
Art. no.: **6019** (drilled and countersunk)
with fixed stainless-steel pin

Article no.			Dimensions in mm									
Series	Execution	Material	A	B	C Ø	D	F	f	G	S	Pin Ø	
		Raw										
		Brass										
6019	.03	.20	40	35	3	5	21	-	28	2	3	
6019	.04	.20	40	40	3	5	23	-	28	2	3	
6019	.05	.20	50	30	3	5	17,5	-	35	2	3	
6019	.06	.20	60	35	3,5	5	20	24	43	2	3	
6019	.07	.20	60	40	3,5	4,5	21,5	26	43	2	3	



Art. no.: **6020** (drilled and countersunk)
with fixed stainless-steel pin

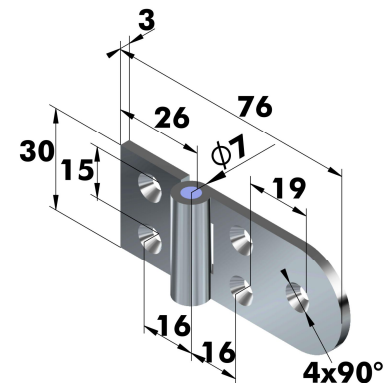
Article no.			Dimensions in mm									
Series	Execution	Material	A	B	C Ø	D	F	f	G	S	Pin Ø	
		Raw										
		Brass										
6020	.01	.20	70	40	3,5	5,5	23	27	48	2	3	
6020	.02	.20	70	50	3,5	6,5	25	37	48	2,5	3,5	
6020	.03	.20	80	45	3,5	5,5	22,5	30,5	58	2,2	3	
6020	.04	.20	80	60	4	7	28	45	57	3	4	



Hinges

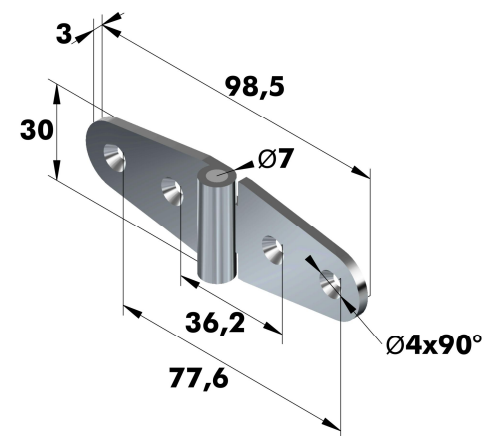
Art. no.: 6025 (perforated and countersunk)
with fixed stainless-steel pin

Article no.		
Series	Execution	Material
		6025
		Brass
		.23



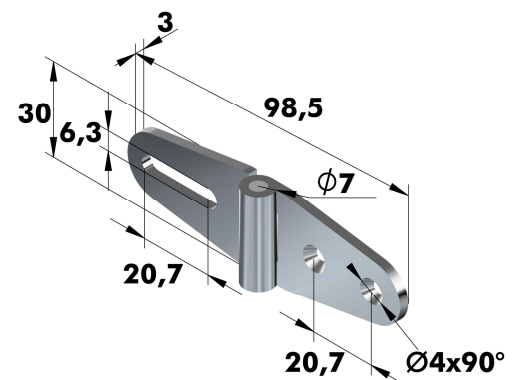
Art. no.: 6027 (perforated and countersunk)
with fixed stainless-steel pin

Article no.		
Series	Execution	Material
		6027
		Brass
		.23



Art. no.: 6028 (perforated and countersunk)
with fixed stainless-steel pin

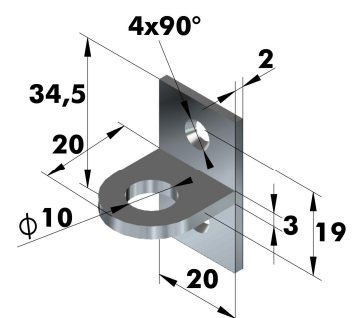
Article no.		
Series	Execution	Material
		6028
		Brass
		.23



Art. no.: 6029 (perforated and countersunk)

Suitable to art. no.: 6026/6028

Article no.		
Series	Execution	Material
		6029
		Brass
		.23



Hinges

Art. Nr.: 150. MH-30

(perforated and countersunk)

Double pivot hinge allows 180° opening

150.MH-30CR



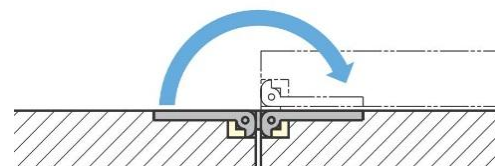
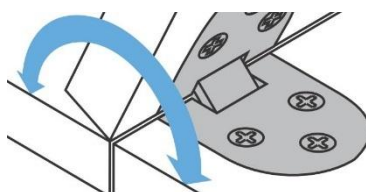
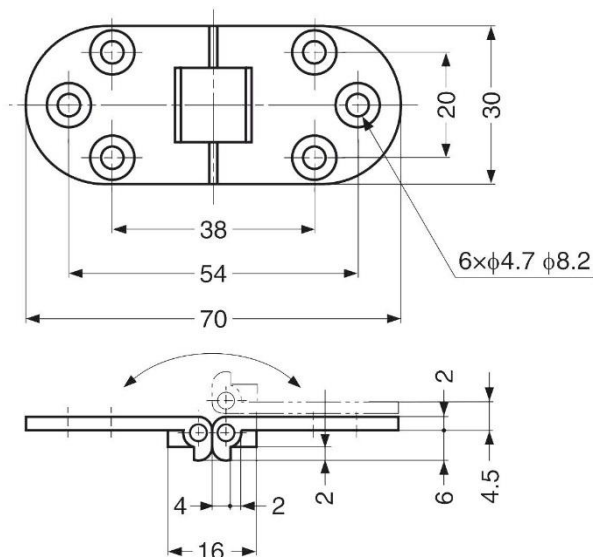
150.MH-30M



150.MH-30WB



Article no.			Door width	Door height	Door Thickness	Load Capacity N / Pair	Weight (g)
Series	Execution	Material Brass					
150. MH-30	M (Polished)	.22	Max. 450	Max. 700	Max. 21	29	45
150. MH-30	WB (White Bronze plating)	.25					
150. MH-30	CR (Chrom)	.23					



Hinges

Art. Nr.: 150. MH-40 (perforated and countersunk)

Double pivot hinge allows 180° opening

150.MH-40CR



150.MH-40M



150.MH-40WB



Article no.			Door width	Door height	Door Thickness	Load capacity N / Pair	Weight (g)
Series	Execution	Material Brass					
150. MH-40	M (Polished)	.22	Max. 450	Max. 700	Max. 21	29	64
150. MH-40	WB (White Bronze plating)	.25					
150. MH-40	CR (Chrom)	.23					

