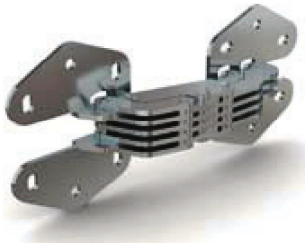




Concealed hinges



Art.:6069.05



Art.:6069.04



Art.:6103



Art.:6127



Art.:6589



Art.:6128



Art.:6069.09



Art.:6069.14



Art.:6069.00



Art.:6588



Art.:6100

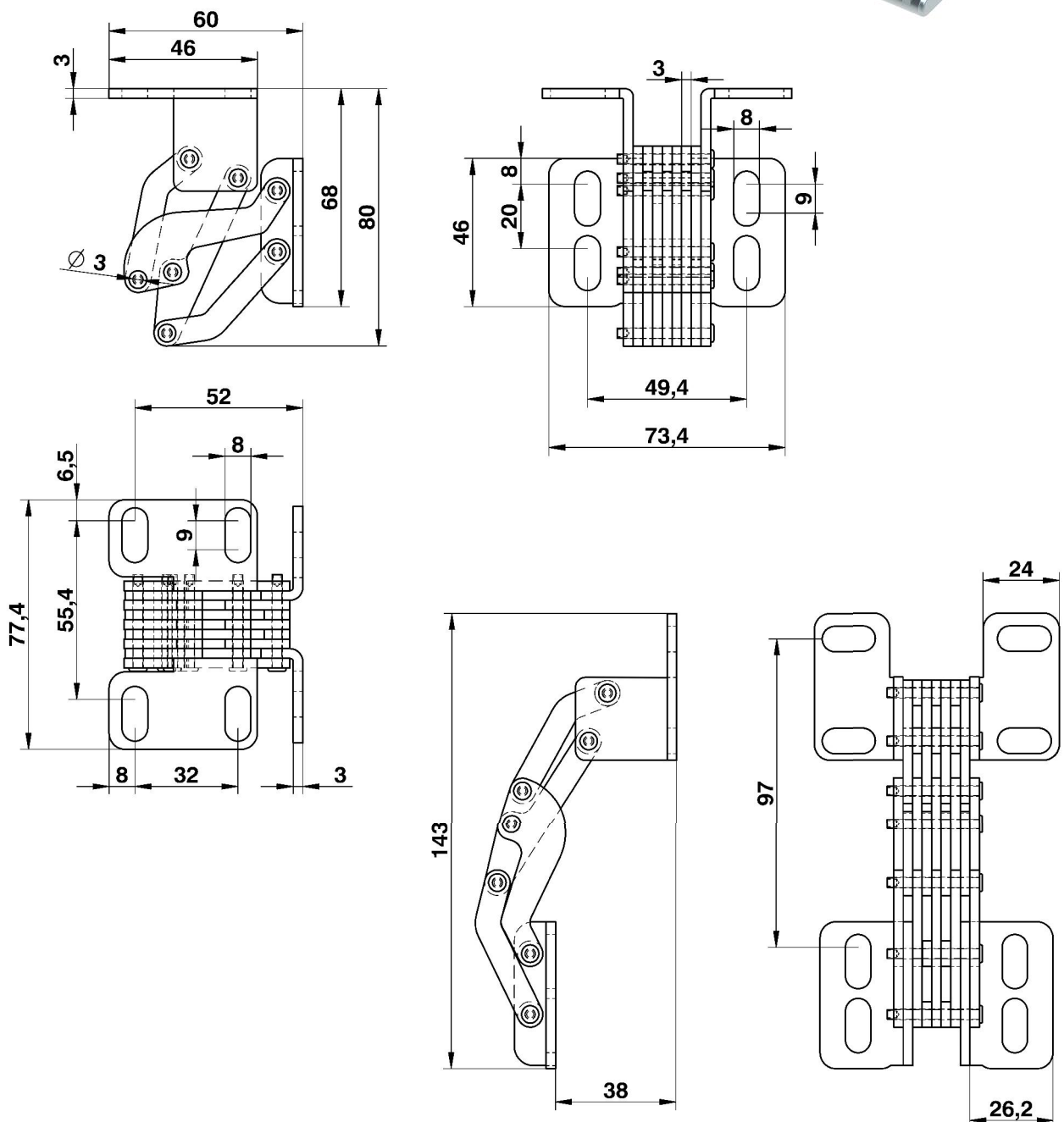
Concealed hinges

Art.no.:91.1071.03

Hinge for invisible fence
Opening angle: ca.110°



Article no.			
Series	Execution	Material	
		Zinc plated Steel	Raw Stainless steel
91.1071	.03	.04	.30

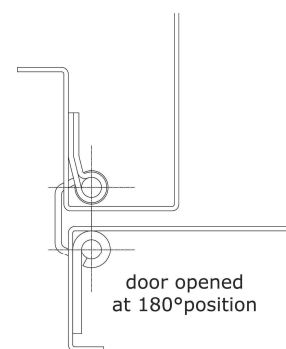
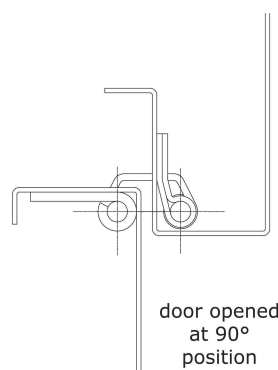
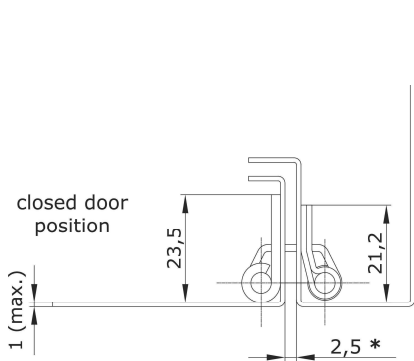
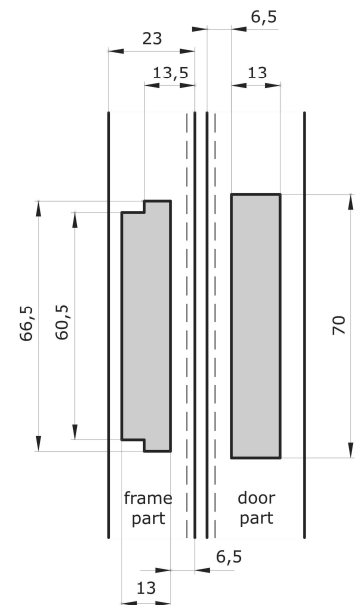
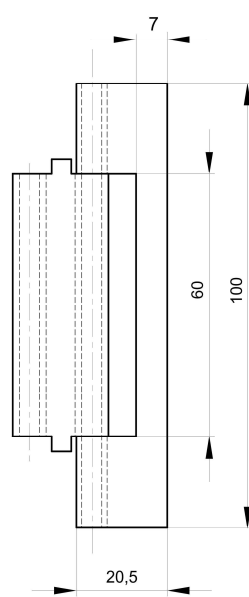
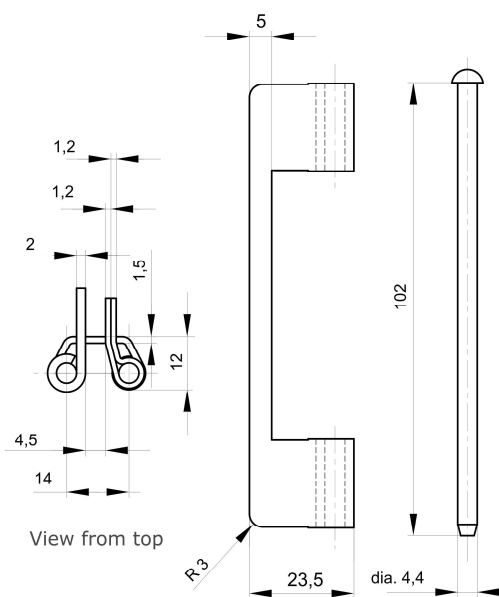
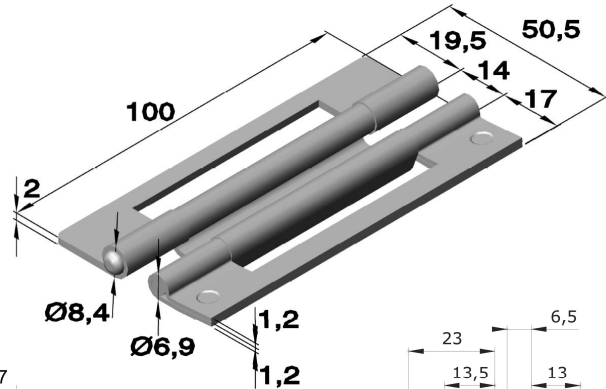


Concealed hinges

Art. no.: 6069

Hinge for invisible fence with an extractable steel pin
Opening angle: 180°

Article no.		
Series	Execution	Material
		6069

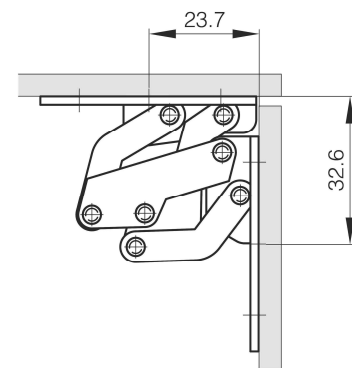
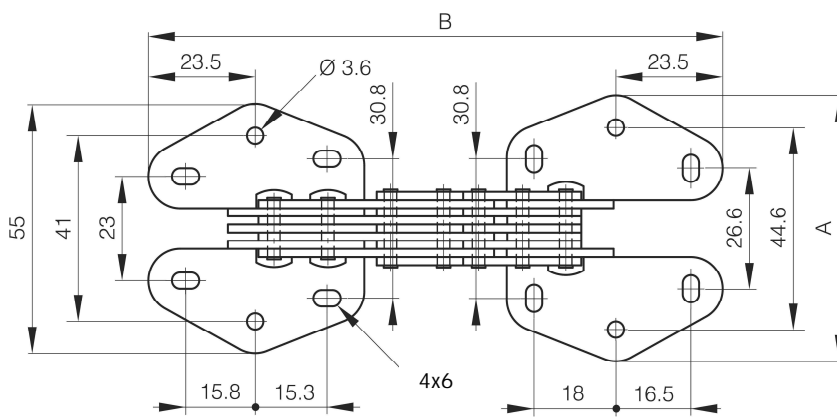
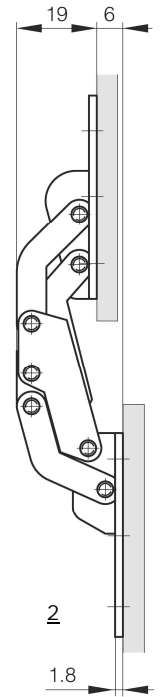
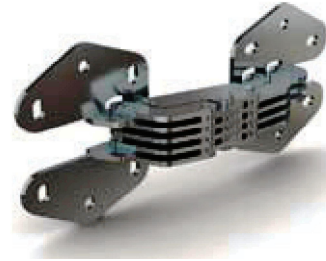


Concealed hinges

Art.no.:6069

Hinge for invisible fence
Opening angle: 90°

Article no.			Dimensions in mm	
Series	Execution	Material	A	B
		Zinc plated		
		Steel		
6069	.05	.04	58,6	126,5

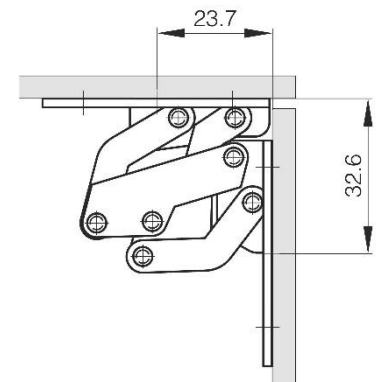
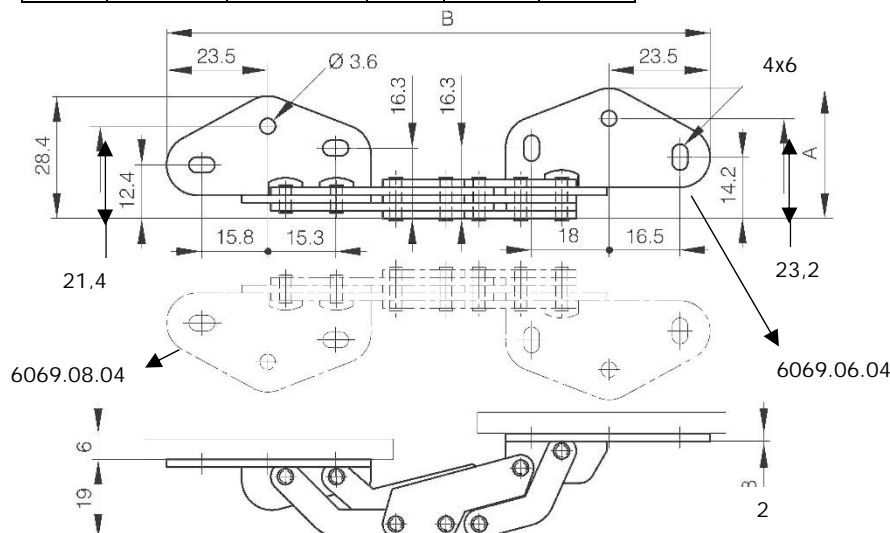


Art.no.:6069

Hinge for invisible fence
Opening angle: 90°

Article no.			Dimensions in mm		
Series	Execution	Material	A	B	
		Zinc plated			
		Steel			
6069	.06	.04	30,2	126,5	above
6069	.08	.04	30,2	126,5	below

Execution:
__08

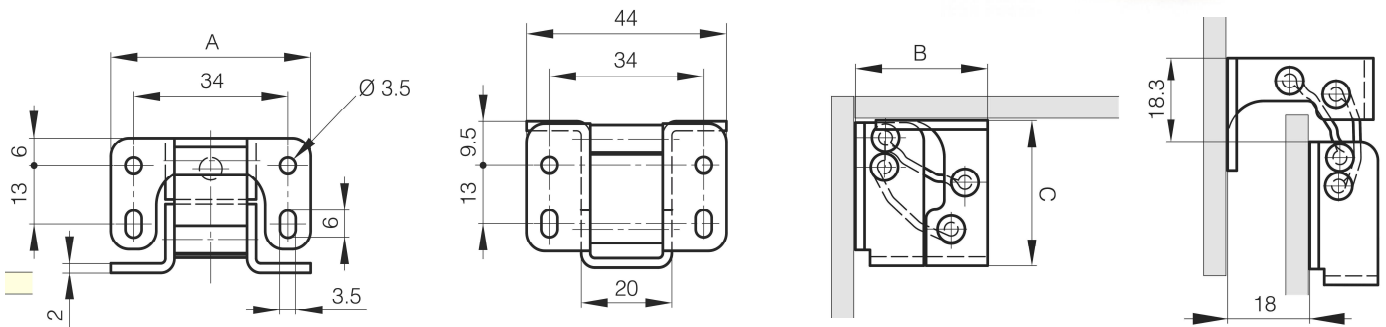
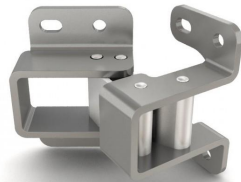


Concealed hinges

Art. no.: 6069

Hinge for invisible fence with 90° opening angle

Article no.			Dimensions in mm		
Series	Execution	Material	A	B	C
		Zinc plated			
6069	.04	Steel	44	29	32
		.04			

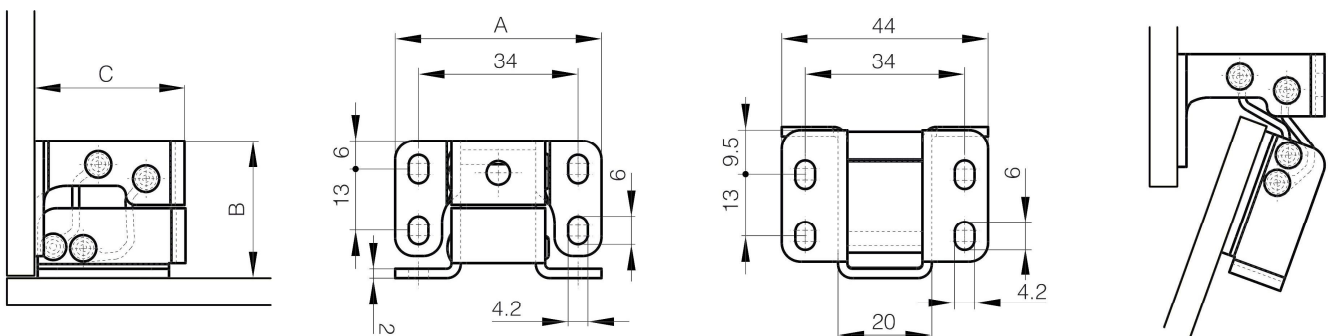
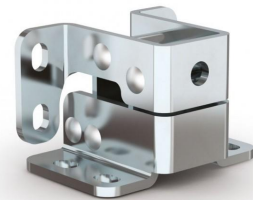


Art.no.:6069

Hinge with invisible fence

Opening angle: 125°

Article no.				Dimensions in mm		
Series	Execution	Material		A	B	C
		Zinc plated	Raw			
		Steel	Stainless steel			
6069	.18	.04	.35	44	29	32

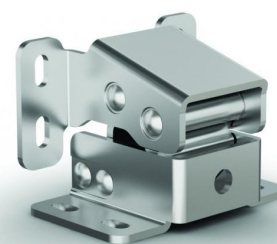


Concealed hinges

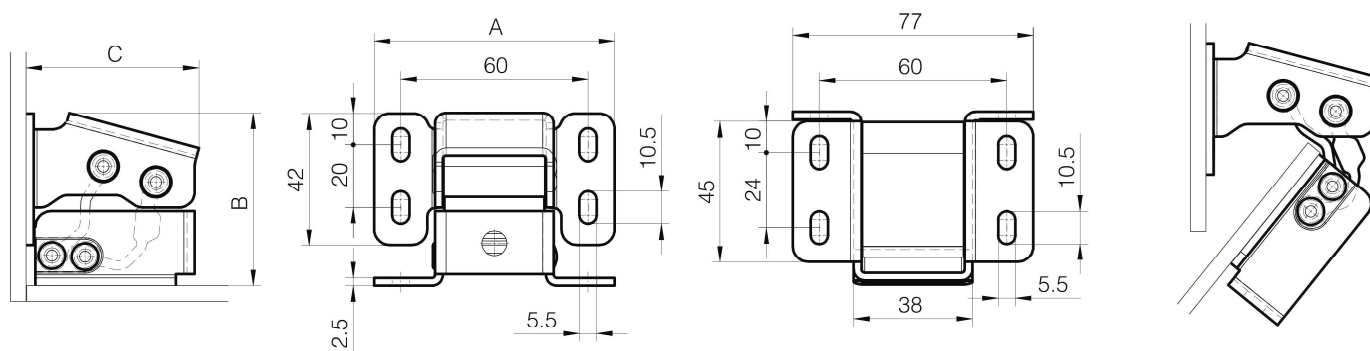
Art.no.:6069

Hinge for invisible fence

Opening angle: 125°



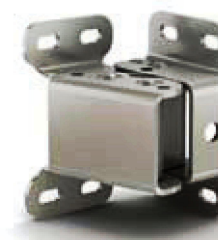
Article no.		Dimensions in mm				
Series	Execution	Material		A	B	C
		Zinc plated	Raw			
		Steel	Stainless steel			
6069	.19	04	.35	77	55,2	54



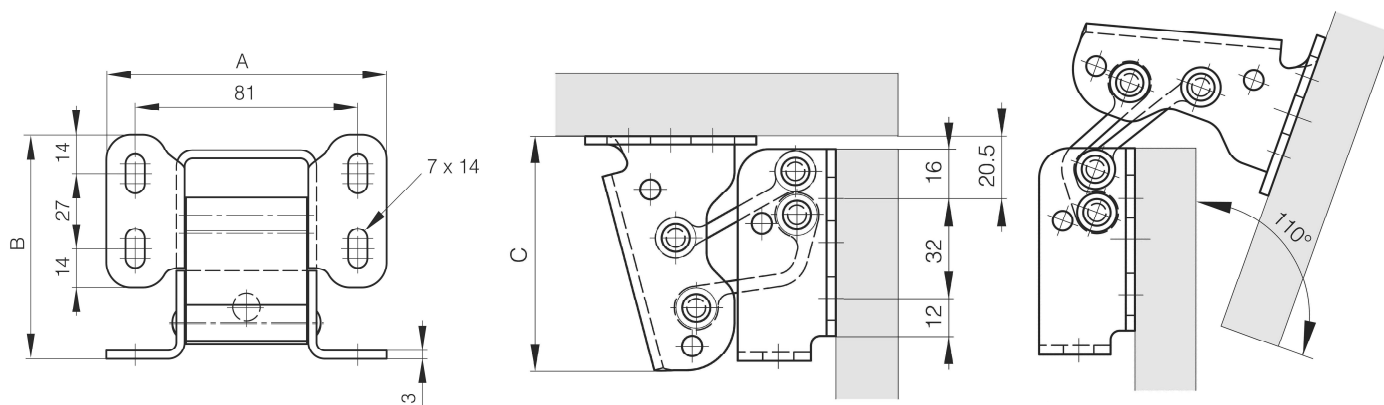
Art. no.: 6589

Hinge for invisible fence with 110° opening angle

Articulated parts made of anodized aluminium



Article no.		Dimensions in mm		
Series	Material	A	B	C
	Zinc plated			
	Steel			
6589	.04	102	80,5	76



Concealed hinges

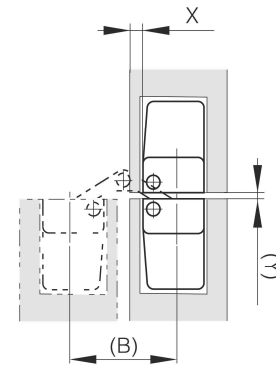
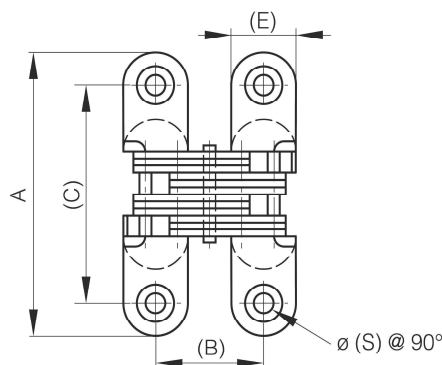
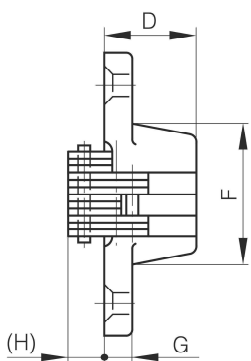
Art. no.: 6069

with fence

Opening angle: 180°

Articulation made of stainless steel

Article no.			Dimensions in mm										
Series	Execution	Material	A	B	C	D	E	F	G	H	S	X	Y
		Chromated Zamak											
6069	.09	.53	43	18	32	13	11	22	5	5	3,5	≤2,3	0,8
6069	.10	.53	45	22,7	32	18,5	13	19	5	6	3,5	≤3	0,8
6069	.11	.53	60	22,2	47	18,5	13	33	6,5	6,5	4,3	≤3	1
6069	.12	.53	70	26,6	53	23	16,1	35	7	9	4,6	≤3,5	1,2
6069	.13	.53	100	33,2	80	27,5	20	52	9,5	9,5	5,3	≤4,8	1,8

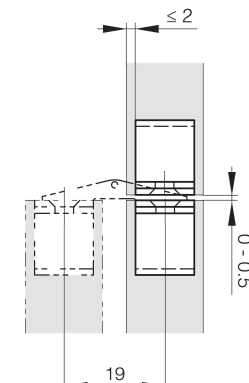
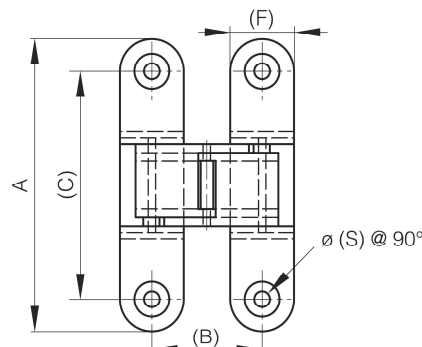
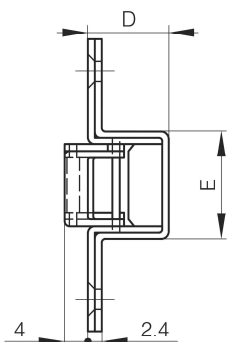


Art. no.: 6069

Hinge for invisible fence

Opening angle 180°

Article no.			Dimensions in mm						
Series	Execution	Material	A	B	C	D	E	F	S
		Satin finished Stainless steel							
6069	.14	.30	50	19	38	14	18,2	11	2,7

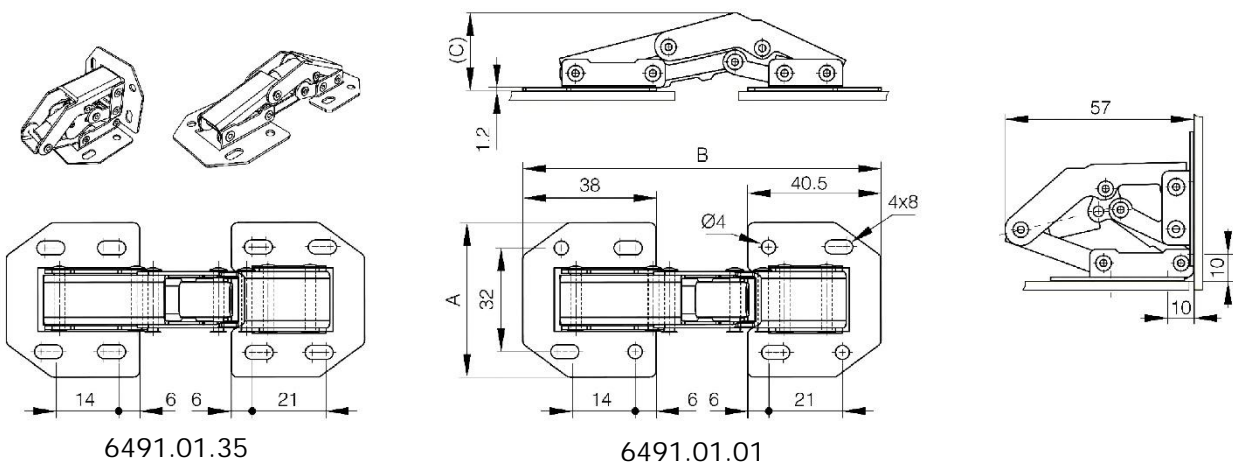
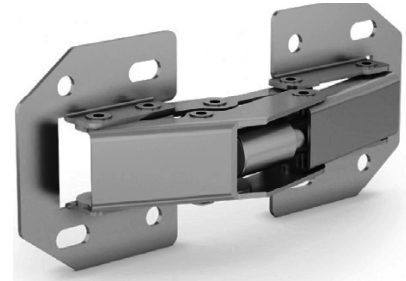


Concealed hinges

Art.no. 6491

Hinge for invisible fence
Opening angle 90°

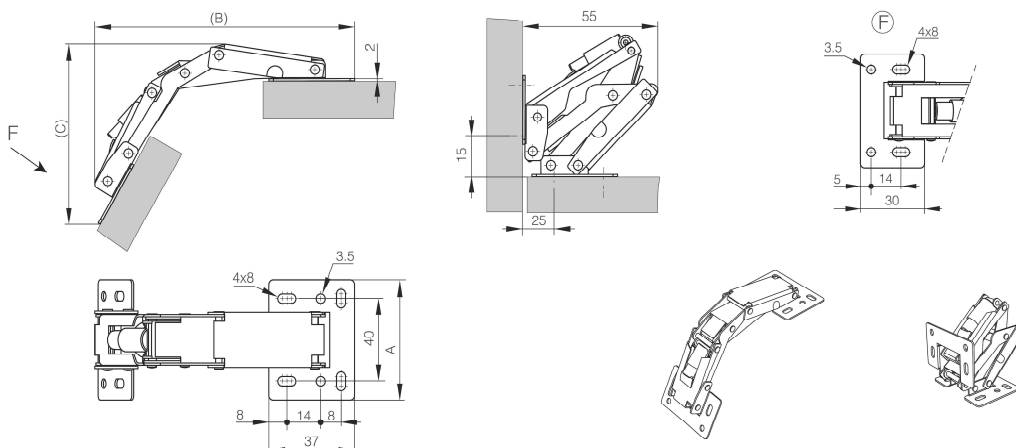
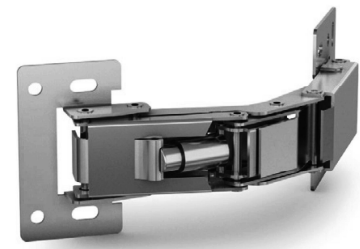
Article no.		Dimensions in mm				
Series	Execution	Material		A	B	C
		Nickel plated Steel	Raw Stainless steel			
6491	.01	.01	.35	44	104,5	70



Art.no. 6492

Hinge for invisible fence
Opening angle: 90°

Article no.		Dimensions in mm				
Series	Execution	Material		A	B	C
		Nickel plated Steel	Electro polished Stainless steel			
6492	.01	.01	.33	52	112	81



Concealed hinges

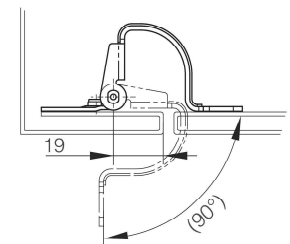
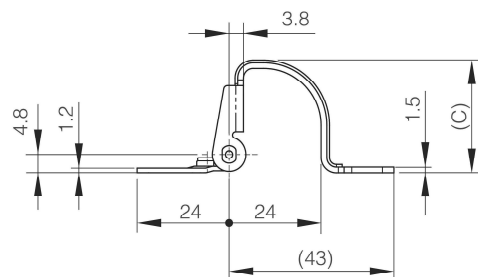
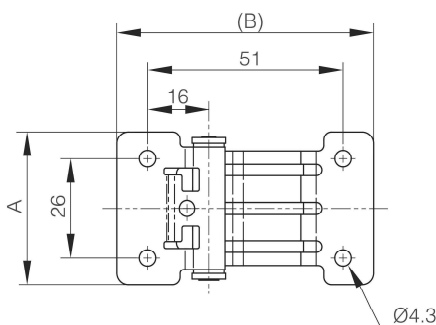
Art.no. 6493

Hinge for invisible fence with constant torques

The torque amounts 0.7 N.m (-20%/ +40%)



Article no.			Dimensions in mm		
Series	Execution	Material	A	B	C
		Raw			
6493	.01	Stainless steel	40	67	29,5



Art. no.: 6127

Hinge for invisible fence

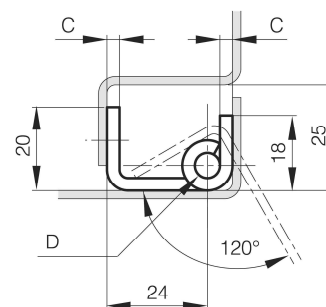
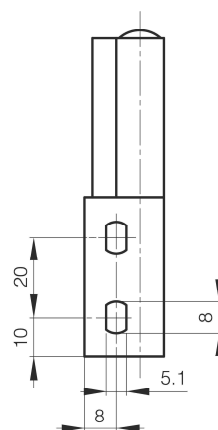
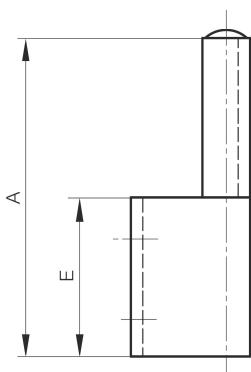
Opening angle: 120°

With extractable pin

Hinge can be assembled at left or right direction



Article no.				Dimensions in mm			
Series	Execution	Material		A	C	D	E
		Raw	Raw				
6127	.01	Steel	Stainless steel	80	3	6	40



Concealed hinges

Art. no.: 6127

Hinge for invisible fence

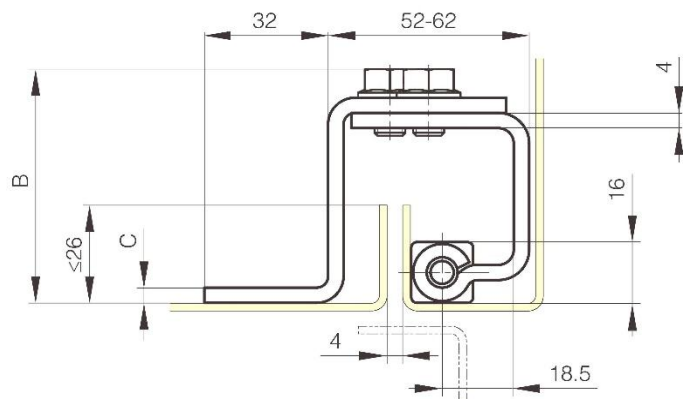
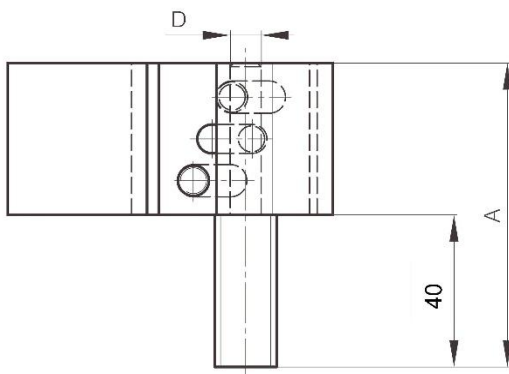
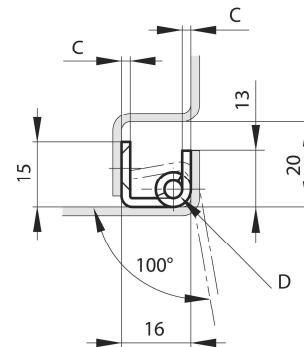
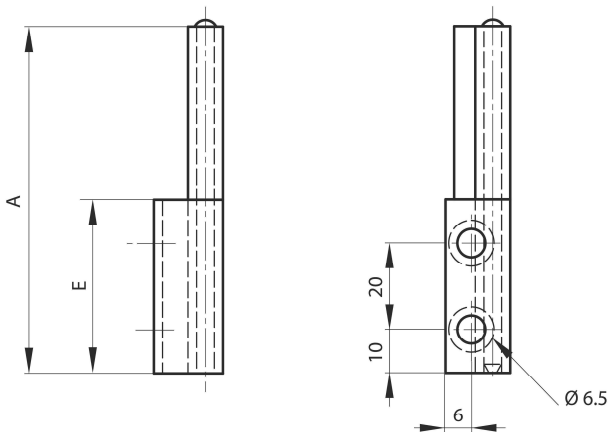
Opening angle: 100°

With extractable pin

Hinge can be assembled at left or right direction



Article no.				Dimensions in mm			
Series	Execution	Material		A	C	D	E
		Raw steel	Raw Stainless steel				
6127	.02	.00	.30	80	2	4	40



Concealed hinges

Art. no.: 6128

Hinge for invisible fence

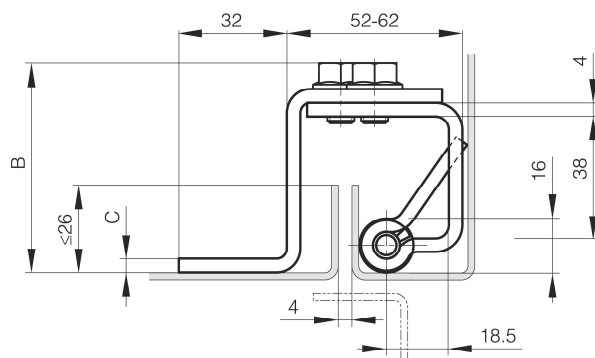
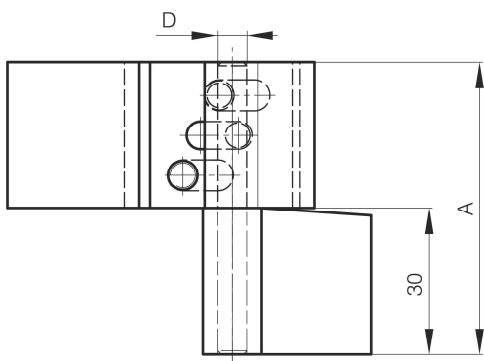
Opening angle: 90°

With extractable pin

Hinge can be assembled at left or right direction



Article no.			Dimensions in mm			
Series	Execution	Material	A	B	C	D
		Raw steel				
6128	.01	.00	80	62	4	8



Art. no.: 6128

Hinge for invisible fence

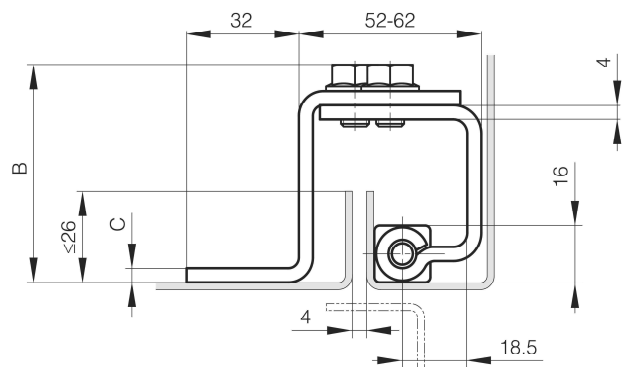
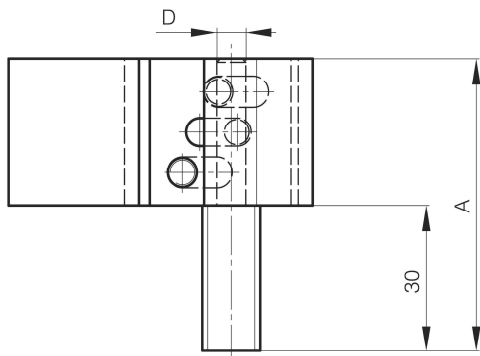
Opening angle: 90°

With extractable pin

Hinge can be assembled at left or right direction



Article no.			Dimensions in mm			
Series	Execution	Material	A	B	C	D
		Raw Steel				
6128	.02	.00	80	61	4	8



Concealed hinges

Art. no.: 6103

Hinge for invisible fence

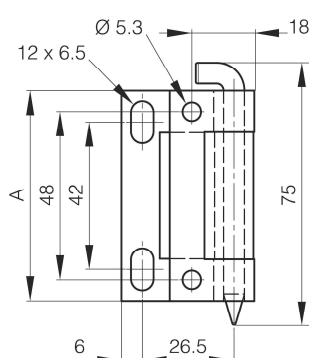
Opening angle: 20°

With extractable pin

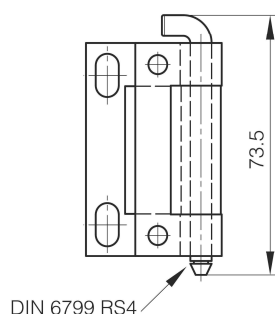
Article no.				Dimensions in mm		
Series	Execution	Material		A	C	D
		Zinc plated steel	Raw Stainless steel			
6103	.01	.04	.30	60	2,5	6
6103	.02	.04	.30	60	2,5	6
6103	.03	.04	.30	60	2,5	6



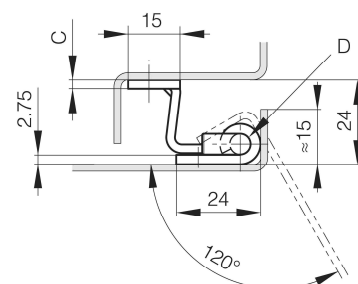
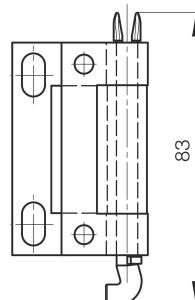
Execution: .01



Execution: .02
Pin with nut



Execution: .03
POM pin



Art. no.: 6104

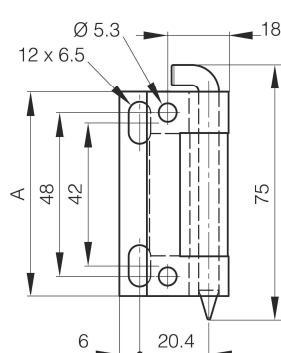
Hinge for invisible fence with 120° opening angle

With extractable pin

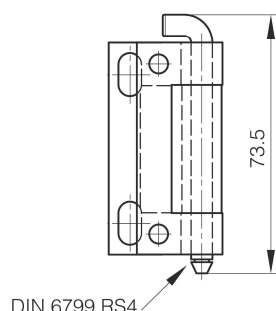
Article no.				Dimensions in mm		
Series	Execution	Material		A	C	D
		Zinc plated Steel	Raw Stainless steel			
6104	.01	.04	.30	60	2,5	6
6104	.02	.04	.30	60	2,5	6
6104	.03	.04	.30	60	2,5	6



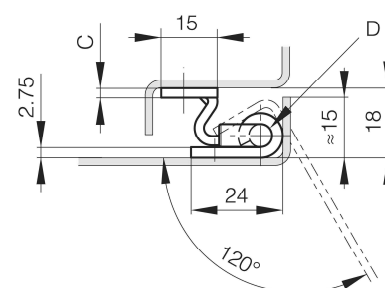
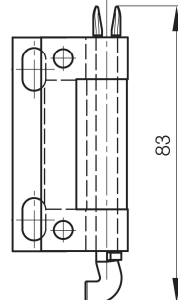
Execution: .01



Execution: .02
pin with nut



Execution: .03
POM pin



Concealed hinges

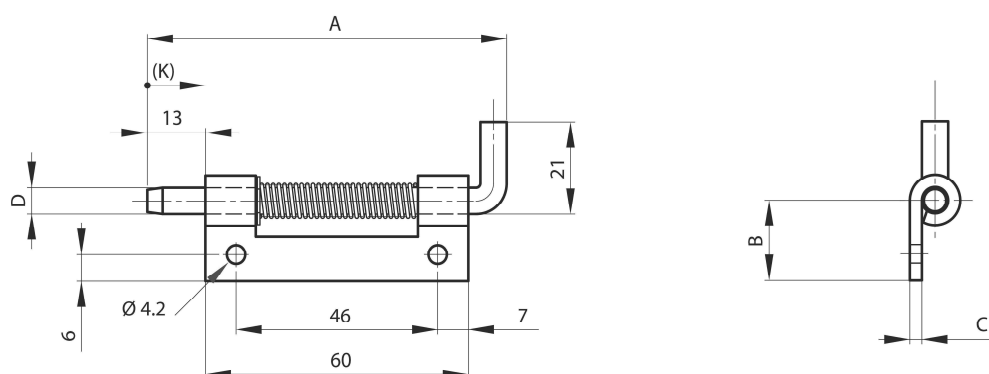
Art. no.: 6100

Hinges with spring-loaded pins
For assembly / disassembly of doors and flaps

Execution:
Left

Execution:
Right

Series	Article no.					Dimensions in mm				
	Execution		Material			A	B	C	D	K
	Right	Left	Raw Steel	Zinc plated Steel	Raw Stainless steel					
6100	.01	.02	-	.04	-	82	18,2	2,8	6	12
6100	.04	.03	.00	-	-	82	18,2	2,8	6	12
6100	.05	.06	-	-	.30	82	18,2	2,8	6	12



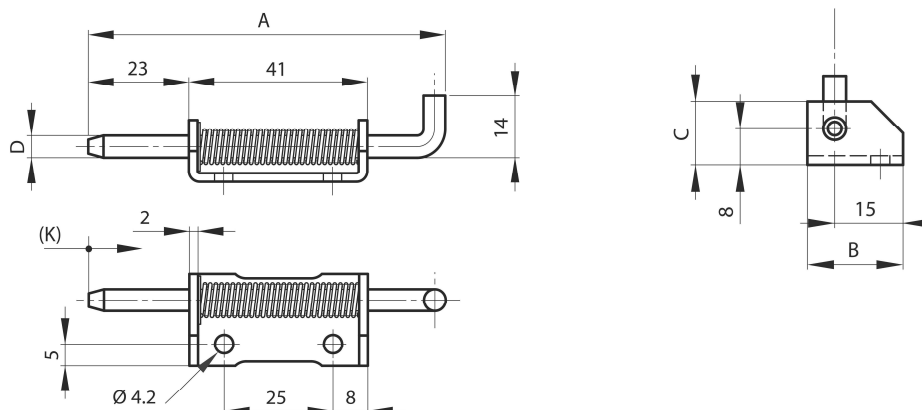
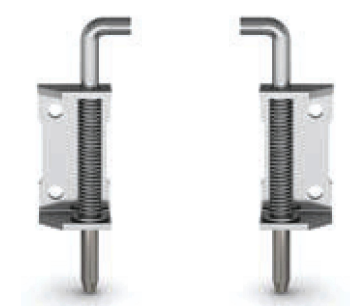
Art. no.: 6102

Hinges with spring-loaded pins
For assembly / disassembly of doors and flaps

Execution:
Left

Execution:
Right

Series	Article no.					Dimensions in mm				
	Execution		Material			A	B	C	D	K
	Right	Left	Raw Steel	Zinc plated Steel	Raw Stainless steel					
6102	.01	.02	.00	-	-	82	21	14	5	12
6102	.03	.04	-	.04	-	82	21	14	5	12
6102	.06	.05	-	-	.30	82	21	14	5	12



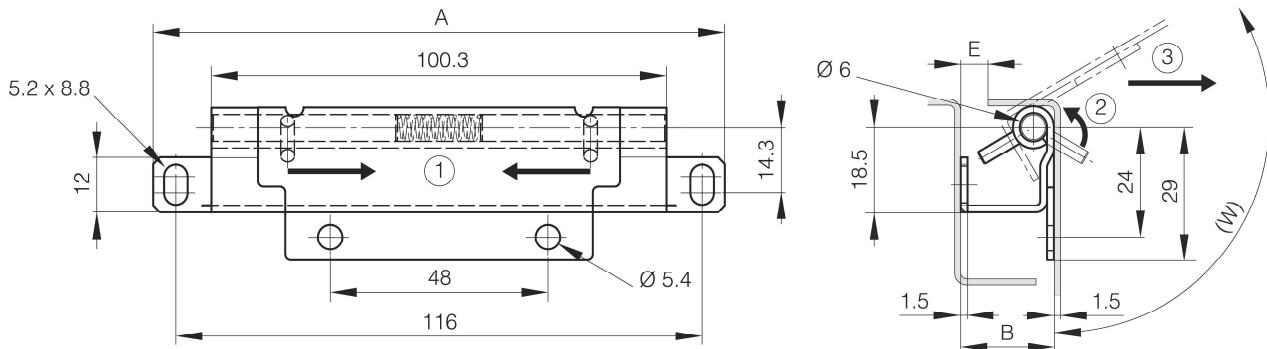
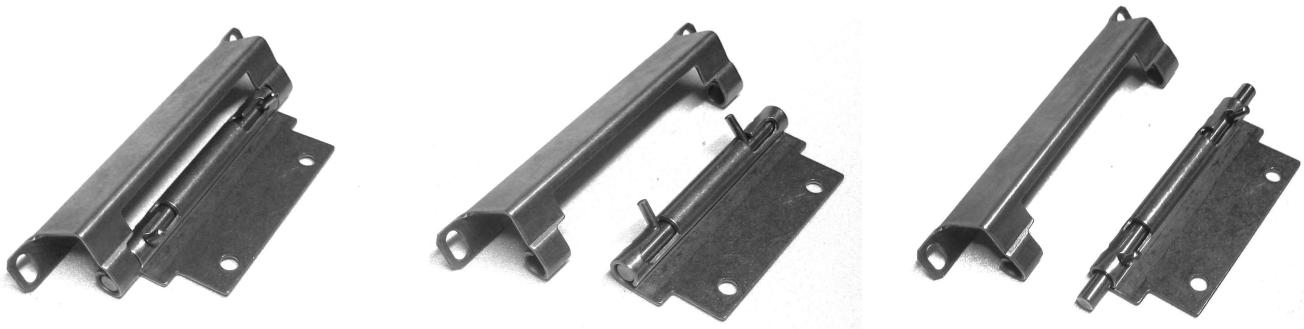
Concealed hinges

Art. no.: 6588

Two-part hinge for the invisible fence

With spring-loaded pin for assembly / disassembly of doors and flaps

Article no.			Dimensions in mm			
Series	Execution	Material	A	B	E	W
		Raw				
		Stainless steel				
6588	.01	.30	126	17,5	3	122°
6588	.02	.30	126	20,5	4	117°
6588	.03	.30	126	23,5	4,5	112°

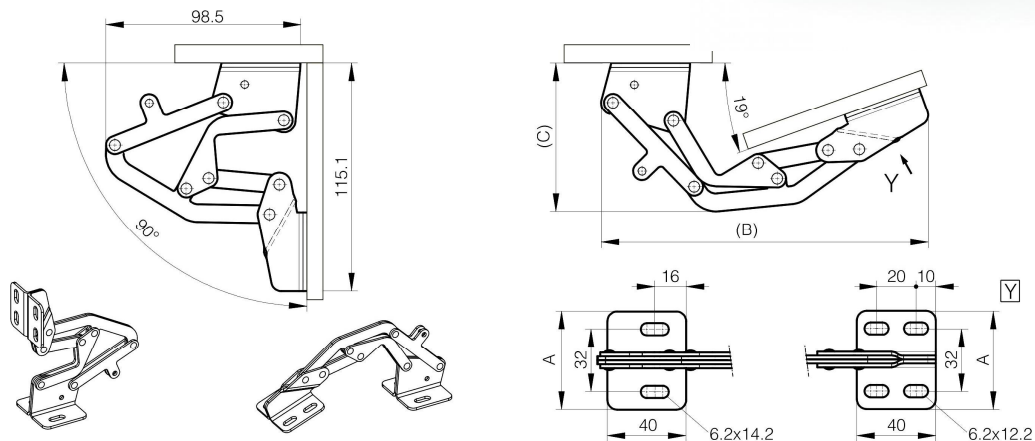


Concealed hinges

Art.no.:6214

For horizontally application only.

Article no.			Dimensions in mm		
Series	Execution	Material	A	B	C
		Zinc plated			
		Steel			
6214	(without spring) .01	.04	50	166	74,7



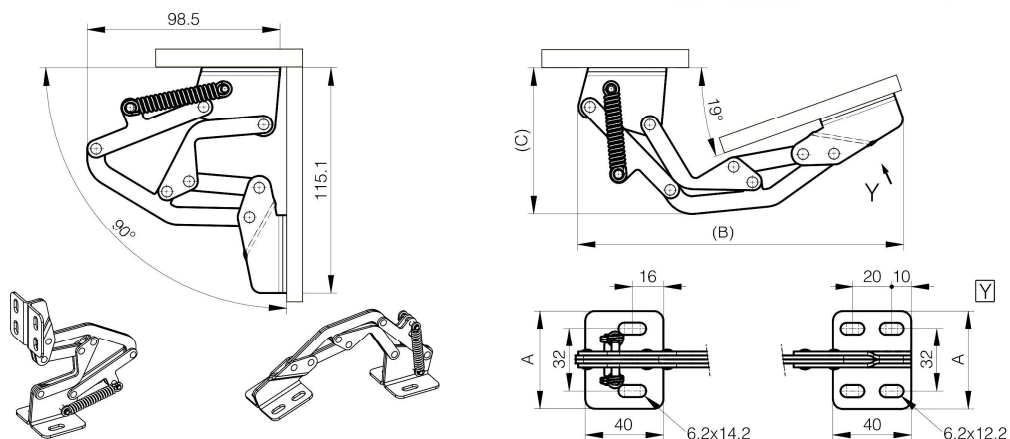
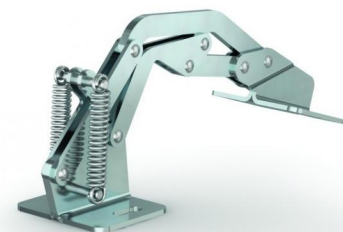
Art.no.:6214

For horizontally application only.

Torque of the spring „opening“: 1 N.m / hinge

Torque of the spring „closing“: 3 N.m / hinge

Article no.			Dimensions in mm		
Series	Execution	Material	A	B	C
		Zinc plated			
		Steel			
6214	(with spring) .02	.04	50	166	74,7



Concealed hinges
