



## Plastic handles and shell grips



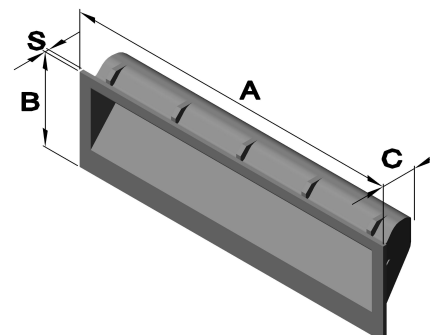
## Plastic handles and shell grips

Art. no.: 6450

countersunk shell grip to clamp

For sheet thickness: 0.8 up to 1.5

Installation opening: 132 x 30.7

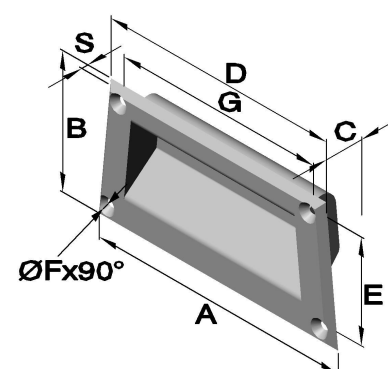


Article no.				Dimensions in mm			
Series	Execution	Material		A	B	C	S
		ABS	Polyamide				
6450	.01	.70	-	137	37,4	18,6	1,6
6450	.02	-	.80	140	36	30	2,0

Art. no.: 6500 (drilled and countersunk)

countersunk shell grip to screw

Installation opening: 73x37x83



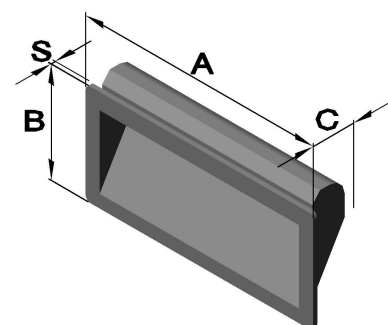
Article no.		Dimensions in mm							
Series	Material	A	B	C	D	E	ØF	G	S
	ABS								
6500	Grey	101	52	15	91	40,5	3,5	80,5	2,5

Art. no.: 6501

countersunk shell grip to clamp

For sheet thickness: 0,75 up to 1,5

Installation opening: 34 x 83



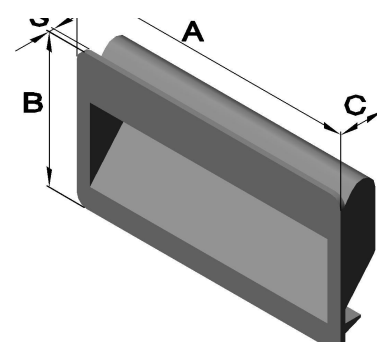
Article no.		Dimensions in mm			
Series	Material	A	B	C	S
	Polyamide				
6501	Black	90	40	16	1,6

Art. no.: 6502

countersunk shell grip to clamp

For sheet thickness: 0,75 up to 1,5

Installation opening: 49 x 103



Article no.		Dimensions in mm			
Series	Material	A	B	C	S
	ABS				
6502	Black	110	56,3	18	2,8

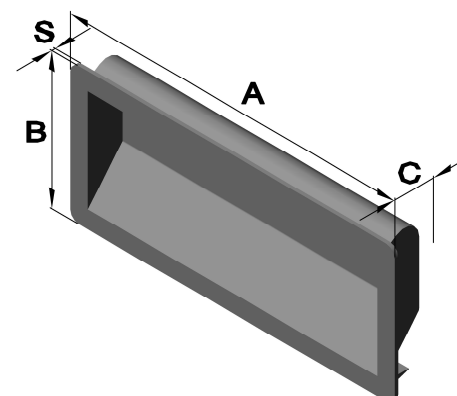
## plastic handles and shell grips

### Art. no.: 6503

countersunk shell grip to clamp

For sheet thickness: 1,5 up to 2,0

Installation opening: 73 x 171



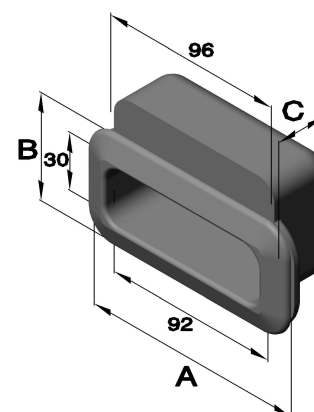
Article no.		Dimensions in mm			
Series	Material	A	B	C	S
6503	Black	187	79	22	2,9

### Art. no.: 6504

countersunk shell grip to clamp

For sheet thickness: 2 mm

Installation opening: 106 x 39

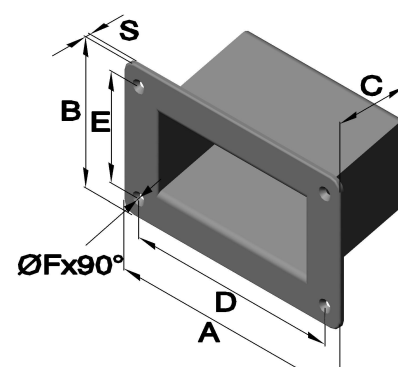


Article no.		Dimensions in mm		
Series	Material	A	B	C
6504	Black	120	58	43

### Art. no.: 6505 (drilled and countersunk)

countersunk shell grip to screw

Installation opening: 104 x 50

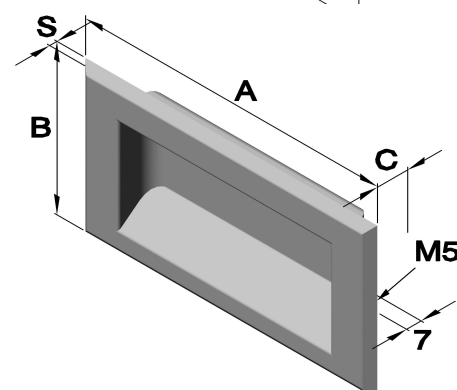


Article no.		Dimensions in mm						
Series	Material	A	B	C	D	E	ØF	S
6505	Black	131	79	58	112	58,8	3,5	2,5

### Art. no.: 6506

countersunk shell grip to screw  
with threaded bolt

Installation opening: 90 x 47

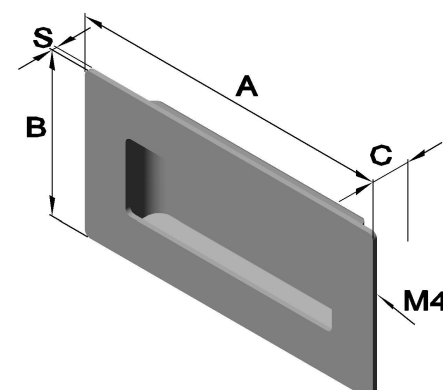


Article no.			Dimensions in mm			
Series	Execution	Material	A	B	C	S
6506	.02	1.4301	120	62	16	3
		Satined				

## Plastic handles and shell grips

Art. no.: **6507** (with threaded bolt)  
countersunk shell grip to screw

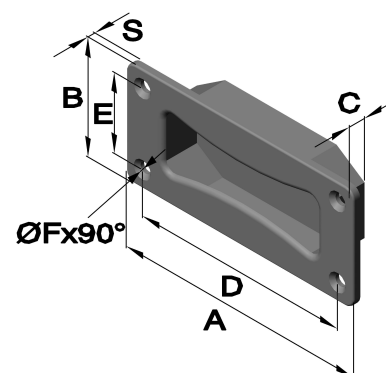
Installation opening: 91 x 45



Article no.		Dimensions in mm			
Series	Material	A	B	C	S
	Satined				
	Stainless steel				
6507	.30	120	60	15	1,8

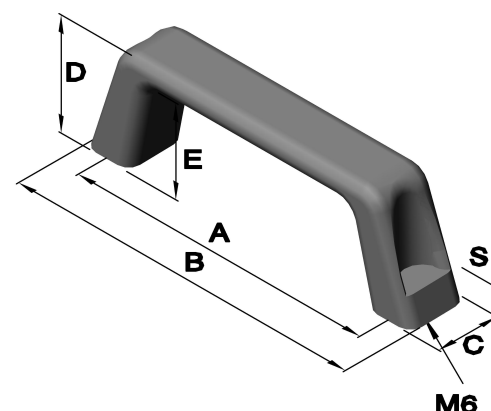
Art. no.: **6508** (drilled and countersunk)  
countersunk shell grip to screw

Installation opening: 104 x 50



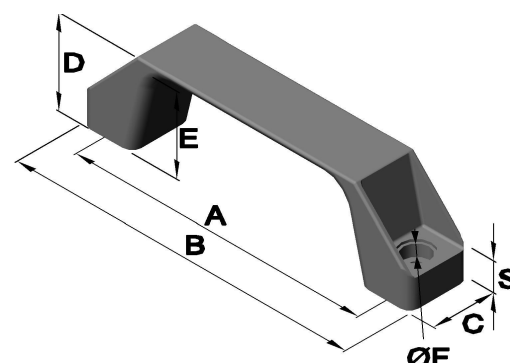
Article no.		dimensions in mm					
Series	Material	A	B	C	D	E	Ø F
	Polyamide						
6508	Black	133	60	22	114	41	6

Art. no.: **7038** (with internal thread)



Article no.		Dimensions in mm					
Series	Material	A	B	C	D	E	S
7038	PA Black	161	178	26	46	37	15

Art. no.: **7039** (drilled and countersunk for SW 10)



Article no.			Dimensions in mm						
Series	Execution	Material	A	B	C	D	E	Ø F	S
6420	.04	PA Black	122	142	26	40	32	6,2	12
6420	.05	PA Black	150	170	28	52	42	6,2	13
7039	-	PA Black	130	149	25	40	30	6,4	10

## plastic handles and shell grips

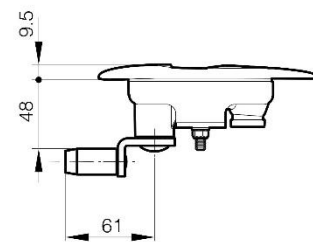
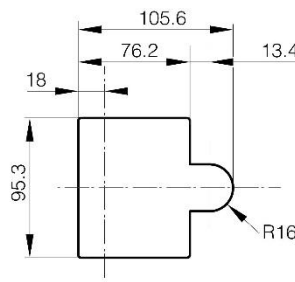
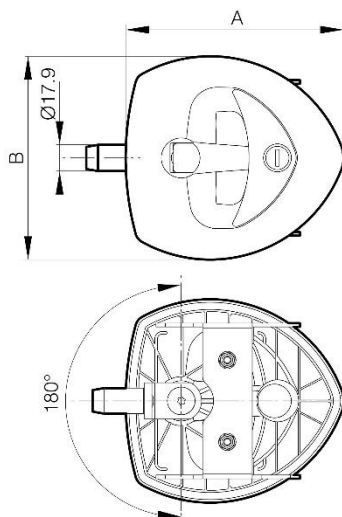
Art.no. 6389

Flush T-handle with a 4mm compression stroke.  
Equipped with intergrated PUR-gasket, protection degree IP65.

Other key numbers and cams are available on request.



Article no.			Dimensions in mm		Tongue
Series	Execution	Material	A	B	
		6389			.01



## Plastic handles and shell grips

Art.no. 6390

Flush T-handle with a 4mm compression stroke.  
Equipped with intergrated PUR-gasket, protection degree IP65.



Other key numbers and cams are available on request.

Article no.			Dimensions in mm		Tongue
Series	Execution	Material	A	B	
		Black			
6390	.01	1Point adjustable (H17-52)			

