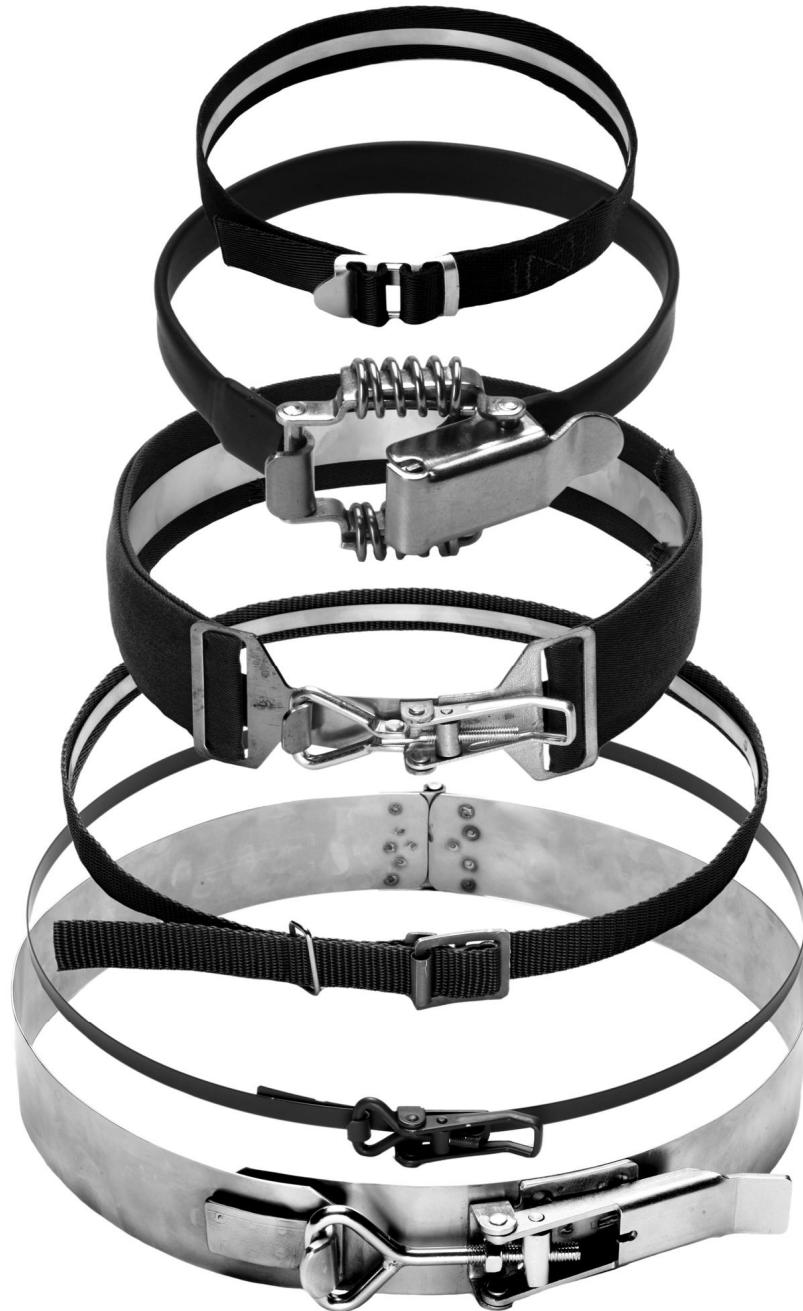
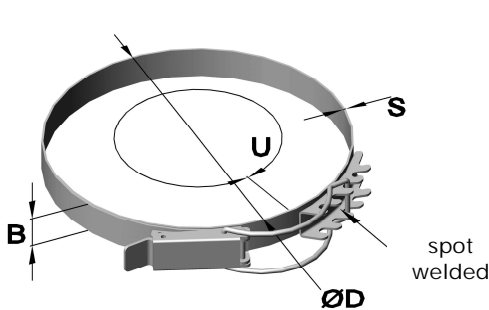




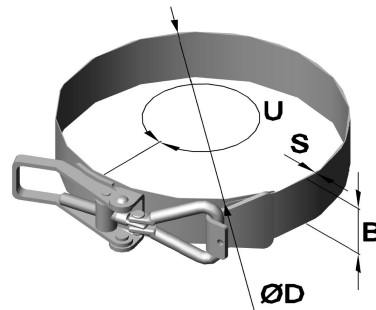
## Tension bands and hose clamps



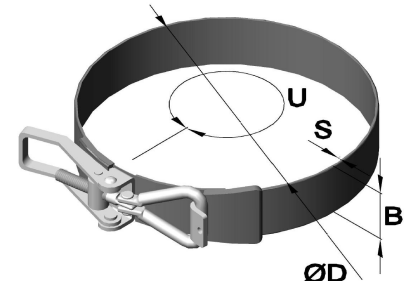
## Tension bands and hose clamps



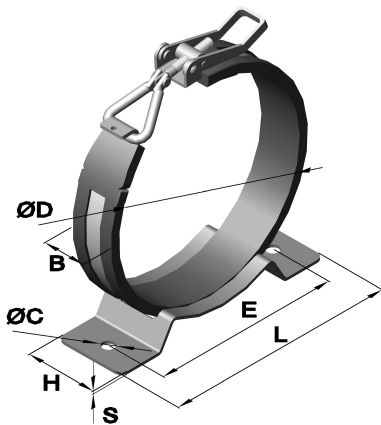
Series 1201  
tension band  
with and without  
spring



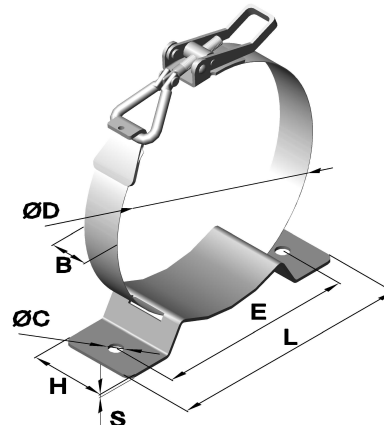
Series 1301  
tension band



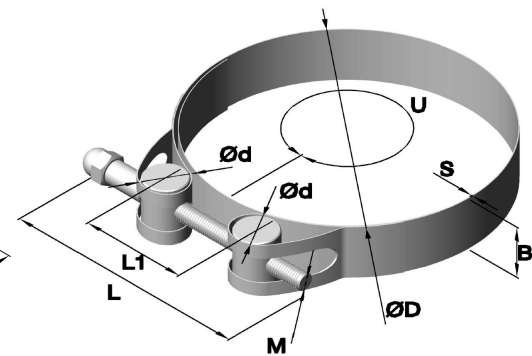
Series 1401  
tension band with  
plastic coating



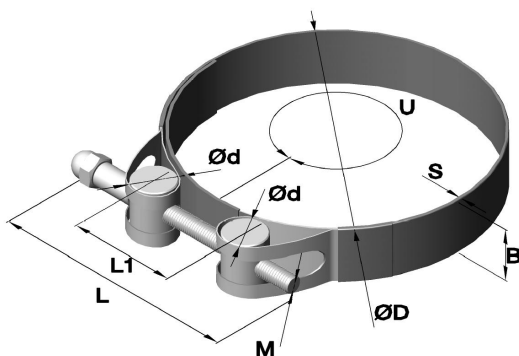
Series 1501  
hose clamp  
with console and  
C-rubber profile



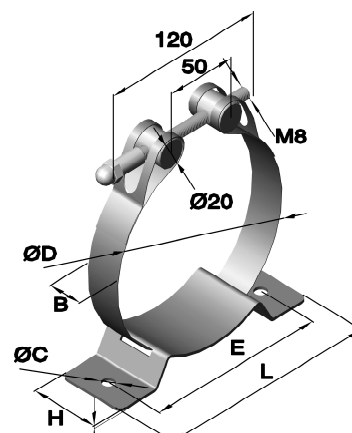
Series 1601  
hose clamp  
with console



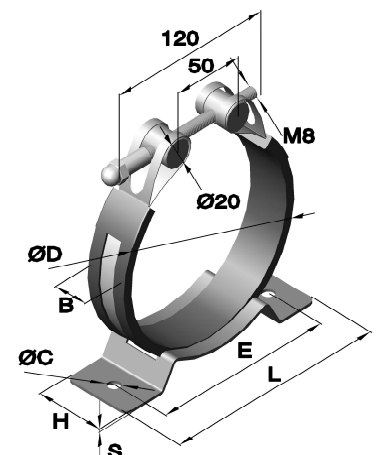
Series 1701  
hinge bolt-tension band



Series 1801  
hinge bolt-tension band  
with rubber profile



Series 1901 Type 1  
hose clamp with  
console and hinge bolt



Series 1901 Type 2  
hose clamp with console, C-rubber  
profile and hinge bolt

## Tension bands and hose clamps

### Tension band „Series 1201.F“

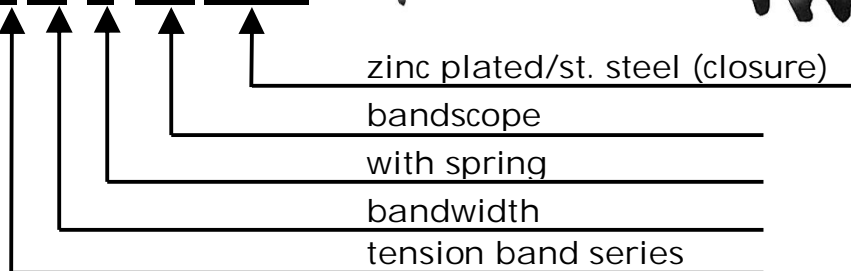
Combination-example: with spring

- latch 1009.04
- strike C-1322-00 with spring
- band 10x0,4mm



Order example:

Art.no 12 10 F. 361 .04/30



| Article no. |                |                  |             |                 | Dimensions in mm |                |
|-------------|----------------|------------------|-------------|-----------------|------------------|----------------|
| Series      | B<br>Bandwidth | U<br>Scope in mm | Material    |                 | Ø D              | S<br>Thickness |
|             |                |                  | Zinc plated | Raw             |                  |                |
|             |                |                  | Steel       | Stainless steel |                  |                |
| 12          | 08F.           | from 315-until ∞ | .04         | .30             | from Ø100-∞      | 0,4/1,0        |
| 12          | 10F.           | from 315-until ∞ | .04         | .30             | from Ø100-∞      | 0,4/1,0        |

Standard dimensions in accordance with DN (Diameter Nominal)

| Article no. |                |    |             |                 | Dimensions in mm |            |                |
|-------------|----------------|----|-------------|-----------------|------------------|------------|----------------|
| Series      | B<br>Bandwidth | DN | Material    |                 | Ø D              | U<br>Scope | S<br>Thickness |
|             |                |    | Zinc plated | Raw             |                  |            |                |
|             |                |    | Steel       | Stainless steel |                  |            |                |
| 1210F.      | DN 100         |    | .04         | .30             | Ø 114,3          | 359        | 0,4/1,0        |
| 1210F.      | DN 125         |    | .04         | .30             | Ø 139,7          | 439        | 0,4/1,0        |
| 1210F.      | DN 150         |    | .04         | .30             | Ø 168,3          | 529        | 0,4/1,0        |
| 1210F.      | DN 200         |    | .04         | .30             | Ø 219,1          | 688        | 0,4/1,0        |
| 1210F.      | DN 250         |    | .04         | .30             | Ø 273,0          | 858        | 0,4/1,0        |
| 1210F.      | DN 300         |    | .04         | .30             | Ø 323,9          | 1018       | 0,4/1,0        |

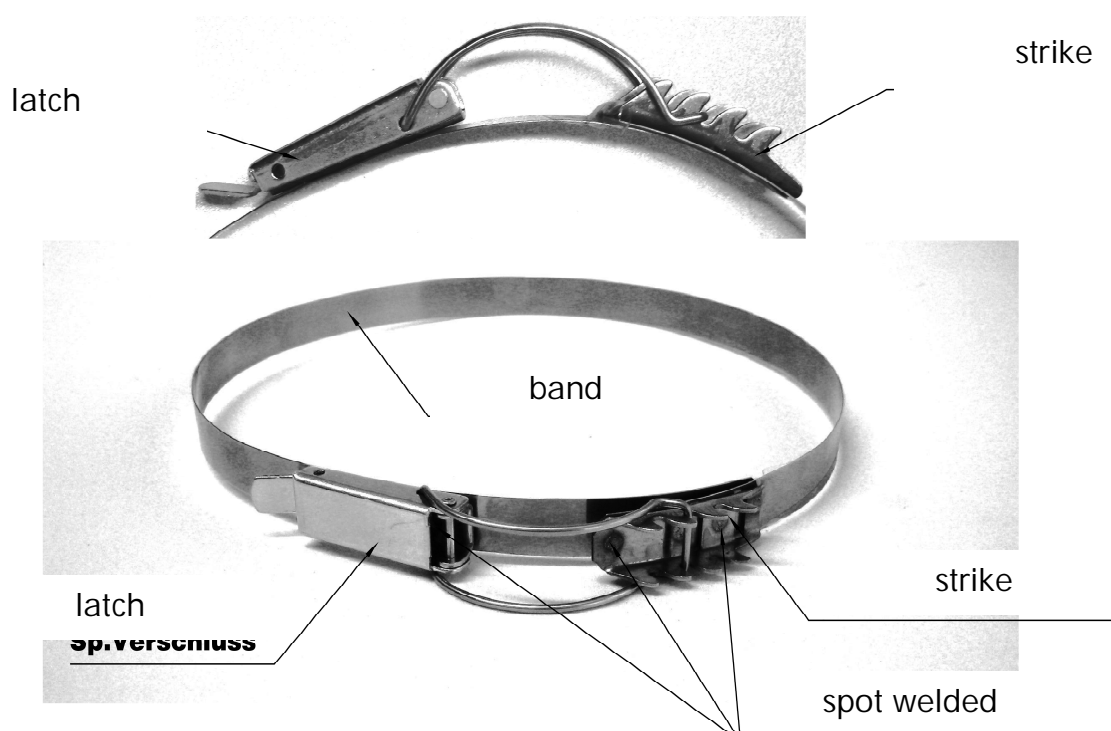
Further combinations are possible

## Tension bands and hose clamps

Tension band with latch „Series 1201“

Combination-example: without spring

- latch 1009.30/6
- strike C-1322-202NB.30
- band 15x1,0mm



Standard dimensions in accordance with DN (Diameter Nominal)

| Article no. |                | Dimensions in mm |                |                 |         |            |                |
|-------------|----------------|------------------|----------------|-----------------|---------|------------|----------------|
| Series      | B<br>Bandwidth | DN               | Material       |                 | Ø D     | U<br>Scope | S<br>Thickness |
|             |                |                  | Zinc<br>plated | Raw             |         |            |                |
|             |                |                  | Steel          | Stainless steel |         |            |                |
| 1215.       | DN 100         |                  | .04            | .30             | Ø 114,3 | 359        | 0,4/1,0        |
| 1215.       | DN 125         |                  | .04            | .30             | Ø 139,7 | 439        | 0,4/1,0        |
| 1215.       | DN 150         |                  | .04            | .30             | Ø 168,3 | 529        | 0,4/1,0        |
| 1215.       | DN 200         |                  | .04            | .30             | Ø 219,1 | 688        | 0,4/1,0        |
| 1215.       | DN 250         |                  | .04            | .30             | Ø 273,0 | 858        | 0,4/1,0        |
| 1215.       | DN 300         |                  | .04            | .30             | Ø 323,9 | 1018       | 0,4/1,0        |

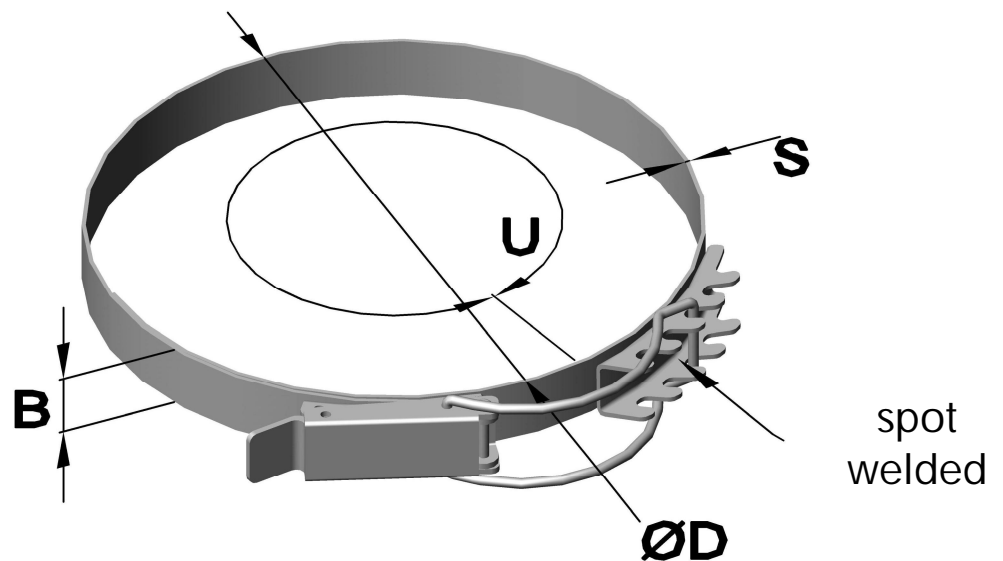
Further combinations are possible

## Tension bands and hose clamps

### Tension band with latch „Series 1201“

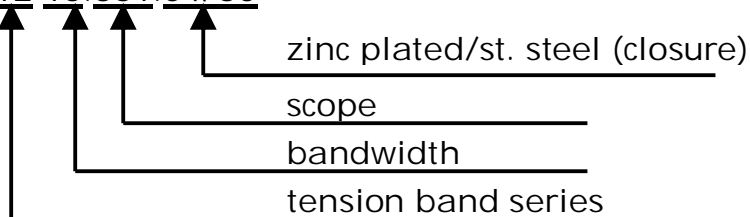
Combination-example: without spring

- latch 1201.33/6
- strike C-1322-202NB.30
- band 15x1,0mm



Order example:

Art.no 12 15.361.04/30



| Article no. |                |                   |             |                 | Dimensions in mm |                |
|-------------|----------------|-------------------|-------------|-----------------|------------------|----------------|
| Series      | B<br>Bandwidth | U<br>Scope in mm  | Material    |                 | Ø D              | S<br>Thickness |
|             |                |                   | Zinc plated | Raw             |                  |                |
|             |                |                   | Steel       | Stainless steel |                  |                |
| 12          | 10.            | from 315-untill ∞ | .04         | .30             | ab Ø100-∞        | 0,4/1,0        |
| 12          | 15.            | from 315-untill ∞ | .04         | .30             | ab Ø100-∞        | 0,4/1,0        |
| 12          | 20.            | from 315-untill ∞ | .04         | .30             | ab Ø100-∞        | 0,4/1,0        |
| 12          | 25.            | from 315-untill ∞ | .04         | .30             | ab Ø100-∞        | 0,4/1,0        |
| 12          | 30.            | from 315-untill ∞ | .04         | .30             | ab Ø100-∞        | 0,4/1,0        |
| 12          | 35.            | from 315-untill ∞ | .04         | .30             | ab Ø100-∞        | 0,4/1,0        |

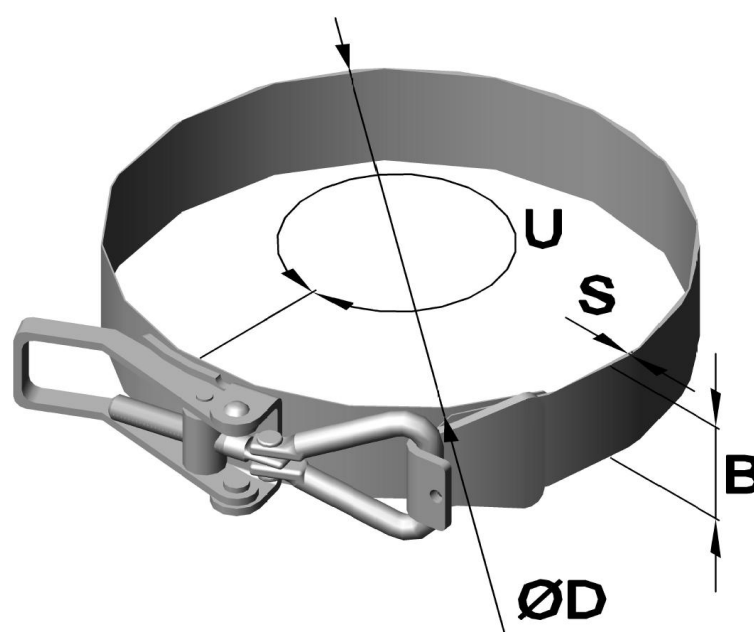
Further combinations are possible

## Tension bands and hose clamps

### Tension band with latch „Series 1301“

Combination-example:

- latch 3015.33RF-1/MOD
- strike 1301.GEGENHAKEN.33
- band 25x0,4mm
- triangel 120/4.33MOD



Standard dimensions in accordance with DN (Diameter Nominal)

| Article no. |                |    | Dimensions in mm |         |            |                |
|-------------|----------------|----|------------------|---------|------------|----------------|
| Series      | B<br>Bandwidth | DN | Material         | Ø D     | U<br>Scope | S<br>Thickness |
|             |                |    | Raw              |         |            |                |
|             |                |    | Stainless steel  |         |            |                |
| 1325.       | DN 100         |    | .30              | Ø 114,3 | 359        | 0,4            |
| 1325.       | DN 125         |    | .30              | Ø 139,7 | 439        | 0,4            |
| 1325.       | DN 150         |    | .30              | Ø 168,3 | 529        | 0,4            |
| 1325.       | DN 200         |    | .30              | Ø 219,1 | 688        | 0,4            |
| 1325.       | DN 250         |    | .30              | Ø 273,0 | 858        | 0,4            |
| 1325.       | DN 300         |    | .30              | Ø 323,9 | 1018       | 0,4            |

Further combinations are possible

## Tension bands and hose clamps

Tension band with latch „Series 1301“

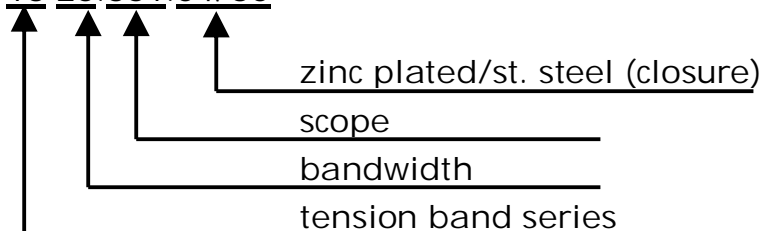
Combination-example:

- latch 3015.04
- strike 3608.04
- band 25x0,4mm



Order example:

Art.no 13 25 361.04/30



| Article no. |                |                   |             |                 | Dimensions in mm |                |
|-------------|----------------|-------------------|-------------|-----------------|------------------|----------------|
| Series      | B<br>Bandwidth | U<br>Scope in mm  | Material    |                 | Ø D              | S<br>Thickness |
|             |                |                   | Zinc plated | Raw             |                  |                |
|             |                |                   | Steel       | Stainless steel |                  |                |
| 13          | 15.            | from 315-untill ∞ | .04         | .30             | from Ø100-∞      | 0,4/1,0        |
| 13          | 20.            | from 315-untill ∞ | .04         | .30             | from Ø100-∞      | 0,4/1,0        |
| 13          | 25.            | from 315-untill ∞ | .04         | .30             | from Ø100-∞      | 0,4/1,0        |
| 13          | 30.            | from 315-untill ∞ | .04         | .30             | from Ø100-∞      | 0,4/1,0        |
| 13          | 35.            | from 315-untill ∞ | .04         | .30             | from Ø100-∞      | 0,4/1,0        |
| 13          | 40.            | from 315-untill ∞ | .04         | .30             | from Ø100-∞      | 0,4/1,0        |
| 13          | 50.            | from 315-untill ∞ | .04         | .30             | from Ø100-∞      | 0,4/1,0        |

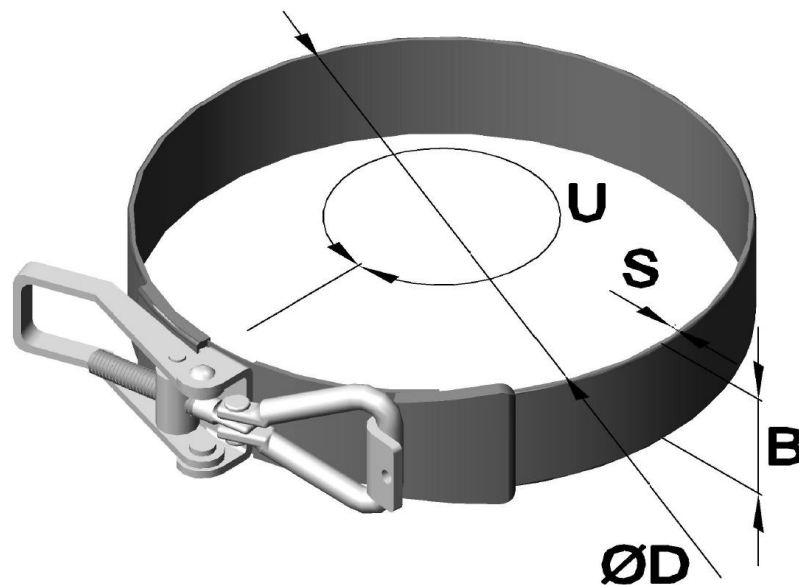
Further combinations are possible

## Tension bands and hose clamps

Tension band with latch „Series 1401“  
with plastic coating

Combination-example:

- latch 3015.33RF-1/MOD
  - strike 1301.GEG.33
  - band 25x0,4mm
  - triangel 120/4.33MOD
- with plastic coating



Standard dimensions in accordance with DN (Diameter Nominal)

| Article no. |                |        | Dimensions in mm |         |      |                |
|-------------|----------------|--------|------------------|---------|------|----------------|
| Series      | B<br>Bandwidth | DN     | Material         | Ø D     | U    | S<br>Thickness |
|             |                |        | Raw              |         |      |                |
|             |                |        | Stainless steel  |         |      |                |
|             | 1425.          | DN 100 | .30              | Ø 114,3 | 359  | 0,4            |
|             | 1425.          | DN 125 | .30              | Ø 139,7 | 439  | 0,4            |
|             | 1425.          | DN 150 | .30              | Ø 168,3 | 529  | 0,4            |
|             | 1425.          | DN 200 | .30              | Ø 219,1 | 688  | 0,4            |
|             | 1425.          | DN 250 | .30              | Ø 273,0 | 858  | 0,4            |
|             | 1425.          | DN 300 | .30              | Ø 323,9 | 1018 | 0,4            |

Further combinations are possible



## Tension bands and hose clamps

Tension band with latch „Series 1401“  
with plastic coating

Combination-example:

- latch 3015.04
- strike 3608.04
- band 25x0,4mm
- with plastic coating



Order example:

Art.no 14 25.361.04/30

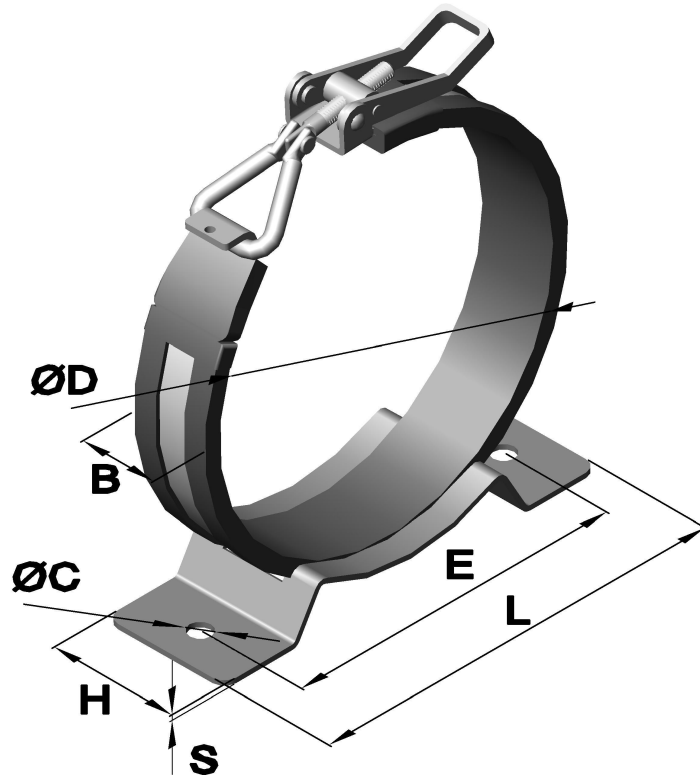


| Article no. |                |                               |             | Dimensions in mm |             |                |
|-------------|----------------|-------------------------------|-------------|------------------|-------------|----------------|
| Series      | B<br>Bandwidth | U<br>Scope in mm              | Material    |                  | Ø D         | S<br>Thickness |
|             |                |                               | Zinc plated | Raw              |             |                |
|             |                |                               | Steel       | Stainless steel  |             |                |
| 14          | 15.            | from 315-untill∞ (stepplesly) | .04         | .30              | from Ø100-∞ | 0,4/1,0        |
| 14          | 20.            | from 315-untill∞ (stepplesly) | .04         | .30              | from Ø100-∞ | 0,4/1,0        |
| 14          | 25.            | from 315-untill∞ (stepplesly) | .04         | .30              | from Ø100-∞ | 0,4/1,0        |
| 14          | 30.            | from 315-untill∞ (stepplesly) | .04         | .30              | from Ø100-∞ | 0,4/1,0        |
| 14          | 35.            | from 315-untill∞ (stepplesly) | .04         | .30              | from Ø100-∞ | 0,4/1,0        |
| 14          | 40.            | from 315-untill∞ (stepplesly) | .04         | .30              | from Ø100-∞ | 0,4/1,0        |
| 14          | 50.            | from 315-untill∞ (stepplesly) | .04         | .03              | from Ø100-∞ | 0,4/1,0        |

Further combinations are possible

## Tension bands and hose clamps

Hose clamps „Series 1501“  
with console and C-rubber profile



Standard dimensions in accordance with DN (Diameter Nominal)

| Article no. |                |    | Dimensions in mm |         |    |     |     |    |        |
|-------------|----------------|----|------------------|---------|----|-----|-----|----|--------|
| Series      | B<br>Bandwidth | DN | Material         | Ø D     | H  | E   | L   | ØC | Band   |
|             |                |    | Raw              |         |    |     |     |    |        |
|             |                |    | Stainless steel  |         |    |     |     |    |        |
| 1525.       | DN 100         |    | .30              | Ø 114,3 | 50 | 130 | 160 | 9  | 25x0,4 |
| 1525.       | DN 125         |    | .30              | Ø 139,7 | 50 | 130 | 160 | 9  | 25x0,4 |
| 1525.       | DN 150         |    | .30              | Ø 168,3 | 50 | 170 | 200 | 9  | 25x0,4 |
| 1525.       | DN 200         |    | .30              | Ø 219,1 | 50 | 170 | 250 | 9  | 25x0,4 |
| 1525.       | DN 250         |    | .30              | Ø 273,0 | 50 | 220 | 250 | 9  | 25x0,4 |
| 1525.       | DN 300         |    | .30              | Ø 323,9 | 50 | 220 | 250 | 9  | 25x0,4 |

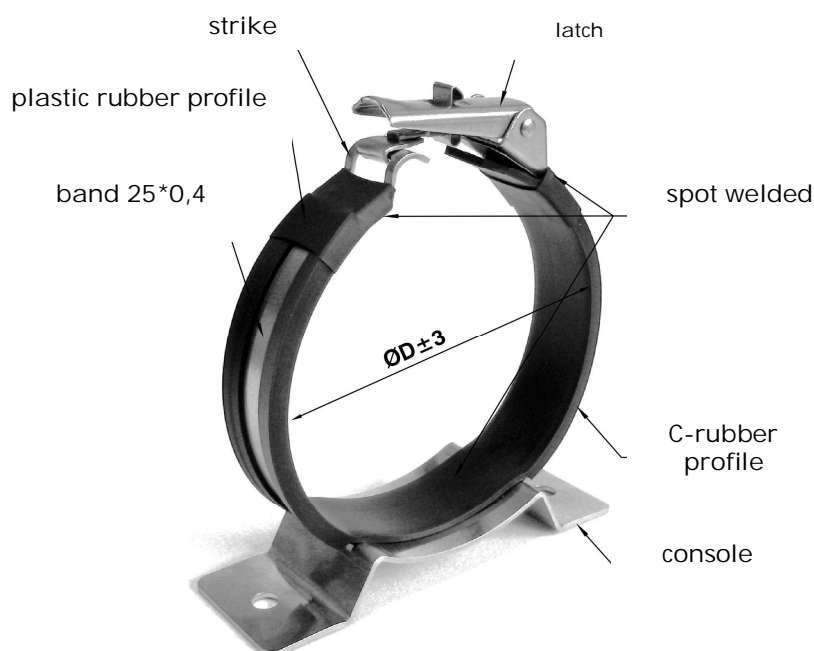
Further combinations are possible

## Tension bands and hose clamps

Hose clamps „Series 1501“  
with console and C-rubber profile

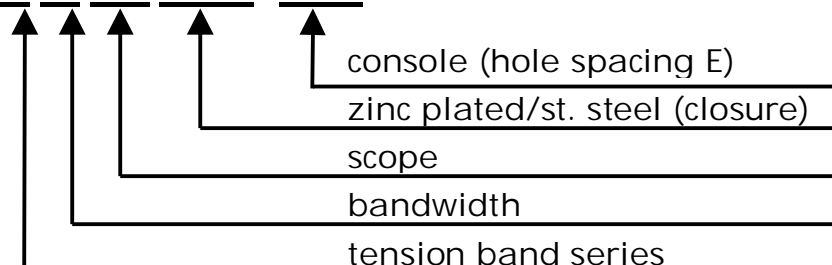
Combination-example:

- latch V951L50-3BP
- strike V951L04x2BP
- band 25x0,4mm
- with C-rubber profile
- with console K130



Order example:

Art.no 15 25 100 04/30 /K130



| Article no. |                |                                 |                |                    |         | Dimensions in mm |     |    |     |     |        |
|-------------|----------------|---------------------------------|----------------|--------------------|---------|------------------|-----|----|-----|-----|--------|
| Series      | B<br>Bandwidth | Ø D                             | Material       |                    |         | Ø C              | E   | H  | L   | S   | Band   |
|             |                |                                 | Zinc<br>plated | Stainless<br>steel | Console |                  |     |    |     |     |        |
| 15          | 15.            | from Ø60-untill Ø120(steplesly) | .04            | .30                | /K46    | 5                | 46  | 25 | 56  | 1,5 | 15x0,4 |
| 15          | 15.            | from Ø100-untill ∞ (steplesly)  | .04            | .30                | /K130   | 9                | 130 | 50 | 160 | 2   | 15x0,4 |
| 15          | 25.            | from Ø100-untill ∞ (steplesly)  | .04            | .30                | /K130   | 9                | 130 | 50 | 160 | 2   | 25x0,4 |
| 15          | 15.            | from Ø150-untill ∞ (steplesly)  | .04            | .30                | /K170   | 9                | 170 | 50 | 200 | 2   | 15x0,4 |
| 15          | 25.            | from Ø150-untill ∞ (steplesly)  | .04            | .30                | /K170   | 9                | 170 | 50 | 200 | 2   | 25x0,4 |
| 15          | 15.            | from Ø200-untill ∞ (steplesly)  | .04            | .30                | /K220   | 9                | 220 | 50 | 250 | 2   | 15x0,4 |
| 15          | 25.            | from Ø200-untill ∞ (steplesly)  | .04            | .30                | /K220   | 9                | 220 | 50 | 250 | 2   | 25x0,4 |

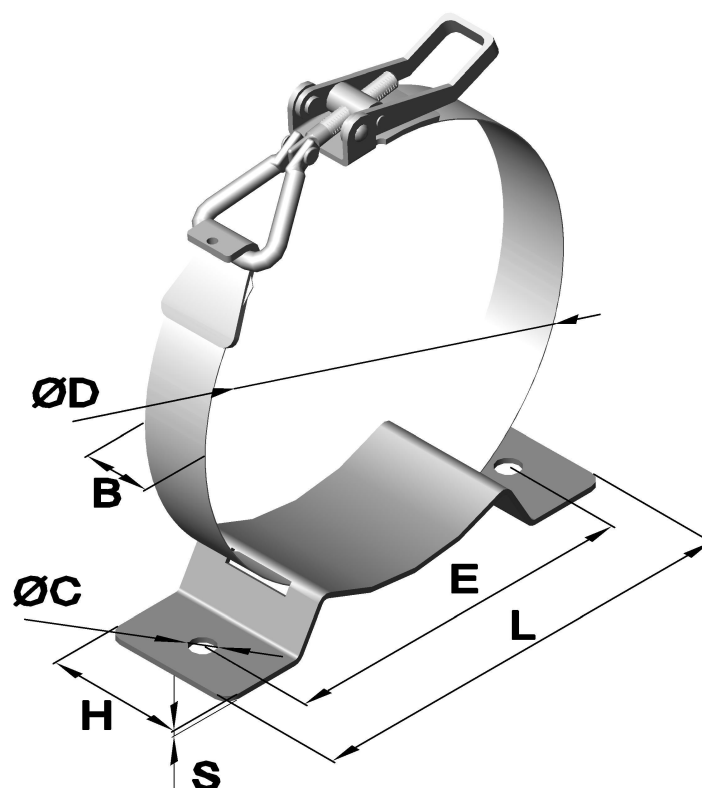
Further combinations are possible

## Tension bands and hose clamps

Hose clamps „Series 1601“  
with console

Combination-example:

- latch 3015.33RF-1/MOD
- strike 1301.GEGENHAKEN.33
- band 25x0,4mm
- tension band with console 120/4.33MOD
- triangle



Standard dimensions in accordance with DN (Diameter Nominal)

| Article no. |                |    |                 | Dimensions in mm |         |      |     |    |     |     |   |        |
|-------------|----------------|----|-----------------|------------------|---------|------|-----|----|-----|-----|---|--------|
| Series      | B<br>Bandwidth | DN | Material        |                  | Ø D     | U    | E   | H  | L   | Ø C | S | Band   |
|             |                |    | Raw             |                  |         |      |     |    |     |     |   |        |
|             |                |    | Stainless steel | Console          |         |      |     |    |     |     |   |        |
| 1625.       | DN 100.        |    | .30             | K130             | Ø 114,3 | 359  | 130 | 50 | 160 | 9   | 2 | 25x0,4 |
| 1625.       | DN 125.        |    | .30             | K130             | Ø 139,7 | 439  | 130 | 50 | 160 | 9   | 2 | 25x0,4 |
| 1625.       | DN 150.        |    | .30             | K130             | Ø 168,3 | 529  | 130 | 50 | 160 | 9   | 2 | 25x0,4 |
| 1625.       | DN 200.        |    | .30             | K170             | Ø 219,1 | 688  | 170 | 50 | 200 | 9   | 2 | 25x0,4 |
| 1625.       | DN 250.        |    | .30             | K170             | Ø 273,0 | 858  | 170 | 50 | 200 | 9   | 2 | 25x0,4 |
| 1625.       | DN 300.        |    | .30             | K170             | Ø 323,9 | 1018 | 170 | 50 | 200 | 9   | 2 | 25x0,4 |

Further combinations are possible

## Tension bands and hose clamps

Hose clamps „Series 1601“  
with console

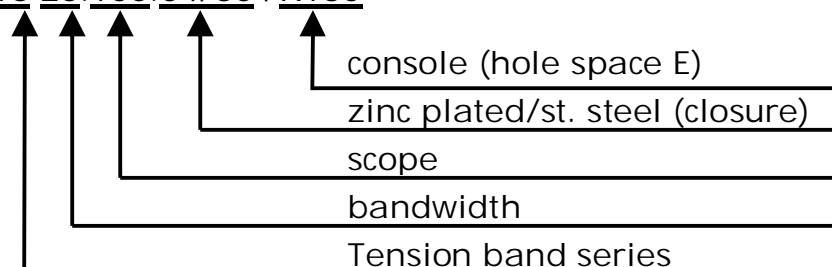
Combination-example:

- latch 3015.04
- strike 3608.04
- band 25x0,4mm
- tension band with console K130



Order example:

Art.no 16 25 100 04/30 /K130



| Article no. |                |                                      |                |                    |         | Dimensions in mm |     |    |     |     |        |
|-------------|----------------|--------------------------------------|----------------|--------------------|---------|------------------|-----|----|-----|-----|--------|
| Series      | B<br>Bandwidth | Ø D                                  | Material       |                    |         | Ø C              | E   | H  | L   | S   | Band   |
|             |                |                                      | Zinc<br>plated | Stainless<br>steel | Console |                  |     |    |     |     |        |
| 16          | 15.            | from Ø60-untill Ø120<br>(stepplesly) | .04            | .30                | /K46    | 5                | 46  | 25 | 56  | 1,5 | 15x0,4 |
| 16          | 15.            | from Ø100-untill ∞ (stepplesly)      | .04            | .30                | /K130   | 9                | 130 | 50 | 160 | 2   | 15x0,4 |
| 16          | 20.            | from Ø100-untill ∞ (stepplesly)      | .04            | .30                | /K130   | 9                | 130 | 50 | 160 | 2   | 20x0,4 |
| 16          | 25.            | from Ø100-untill ∞ (stepplesly)      | .04            | .30                | /K130   | 9                | 130 | 50 | 160 | 2   | 25x0,4 |
| 16          | 15.            | from Ø150-untill ∞ (stepplesly)      | .04            | .30                | /K170   | 9                | 170 | 50 | 200 | 2   | 15x0,4 |
| 16          | 20.            | from Ø150-untill ∞ (stepplesly)      | .04            | .30                | /K170   | 9                | 170 | 50 | 200 | 2   | 20x0,4 |
| 16          | 25.            | from Ø150-untill ∞ (stepplesly)      | .04            | .30                | /K170   | 9                | 170 | 50 | 200 | 2   | 25x0,4 |
| 16          | 15.            | from Ø200-untill ∞ (stepplesly)      | .04            | .30                | /K220   | 9                | 220 | 50 | 250 | 2   | 15x0,4 |
| 16          | 20.            | from Ø200-untill ∞ (stepplesly)      | .04            | .30                | /K220   | 9                | 220 | 50 | 250 | 2   | 20x0,4 |
| 16          | 25.            | from Ø200-untill ∞ (stepplesly)      | .04            | .30                | /K220   | 9                | 220 | 50 | 250 | 2   | 25x0,4 |

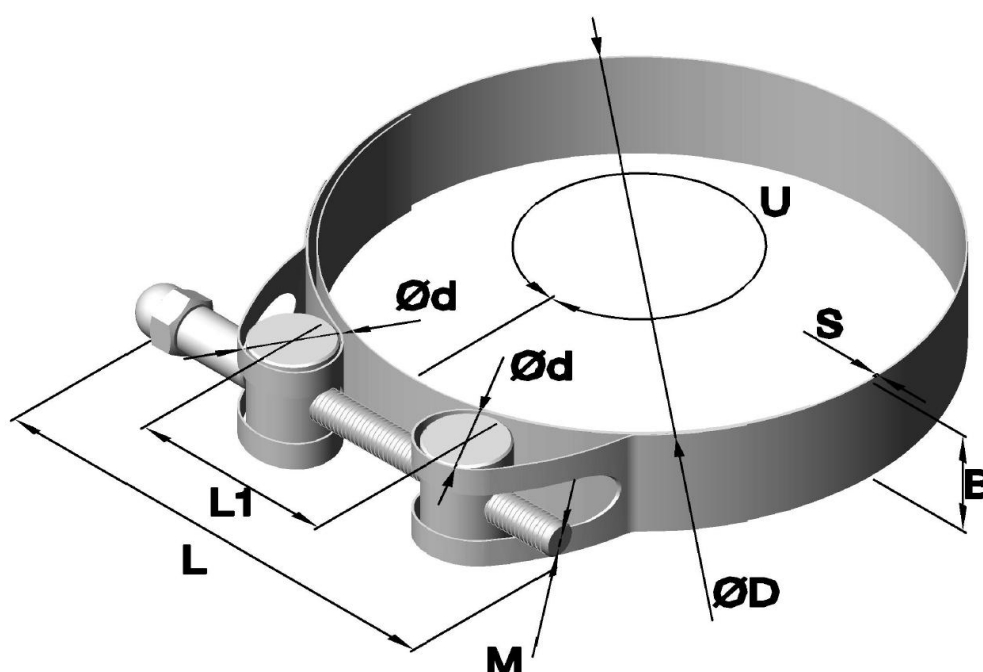
Further combinations are possible

## Tension bands and hose clamps

### Hinge bolt tension band „Series 1701“

Combination-example:

- band 30x0,4mm
- bolt  $\varnothing 20 \times 30 \text{mm}$
- threaded rod M8x120mm



Standard dimensions in accordance with DN (Diameter Nominal)

| Article no. |                |    | Dimensions in mm |         |      |    |     |    |    |                |
|-------------|----------------|----|------------------|---------|------|----|-----|----|----|----------------|
| Series      | B<br>Bandwidth | DN | Material         | Ø D     | U    | d  | L   | L1 | M  | S<br>Thickness |
|             |                |    | Raw              |         |      |    |     |    |    |                |
|             |                |    | Stainless steel  |         |      |    |     |    |    |                |
| 1730.       | DN 100.        | 30 |                  | Ø 114,3 | 359  | 20 | 120 | 50 | M8 | 0,4            |
| 1730.       | DN 125.        | 30 |                  | Ø 139,7 | 439  | 20 | 120 | 50 | M8 | 0,4            |
| 1730.       | DN 150.        | 30 |                  | Ø 168,3 | 529  | 20 | 120 | 50 | M8 | 0,4            |
| 1730.       | DN 200.        | 30 |                  | Ø 219,1 | 688  | 20 | 120 | 50 | M8 | 0,4            |
| 1730.       | DN 250.        | 30 |                  | Ø 273,0 | 858  | 20 | 120 | 50 | M8 | 0,4            |
| 1730.       | DN 300.        | 30 |                  | Ø 323,9 | 1018 | 20 | 120 | 50 | M8 | 0,4            |

Further combinations are possible

## Tension bands and hose clamps

### Hinge bolt tension band „Series 1701“

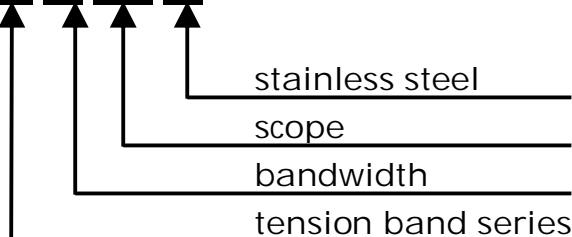
Combination-example:

- band 25x0,4mm
- bolt Ø20x25mm
- threaded rod M8x120mm



Order example:

Art.no 17 30.315.30



| Article no. |                     |                                |                           | Dimensions in mm |    |         |       |        |                |
|-------------|---------------------|--------------------------------|---------------------------|------------------|----|---------|-------|--------|----------------|
| Series      | B<br>Band-<br>width | U<br>Scope in mm               | Material                  | Ø D              | d  | L       | L1    | M      | S<br>Thickness |
|             |                     |                                | Raw<br>Stainless<br>steel |                  |    |         |       |        |                |
| 17          | 20.                 | from 315-untill ∞ (stepplesly) | .30                       | from Ø100- ∞     | 20 | 100-160 | 30-50 | M8/M10 | 0,4/1,0        |
| 17          | 25.                 | from 315-untill ∞ (stepplesly) | .30                       | from Ø100- ∞     | 20 | 120-160 | 30-50 | M8/M10 | 0,4/1,0        |
| 17          | 30.                 | from 315-untill ∞ (stepplesly) | .30                       | from Ø100- ∞     | 20 | 160     | 30-50 | M8/M10 | 0,4/1,0        |
| 17          | 35.                 | from 315-untill ∞ (stepplesly) | .30                       | from Ø100- ∞     | 20 | 160     | 30-50 | M8/M10 | 0,4/1,0        |
| 17          | 40.                 | from 315-untill ∞ (stepplesly) | .30                       | from Ø100- ∞     | 20 | 160     | 30-50 | M8/M10 | 0,4/1,0        |
| 17          | 50.                 | from 315-untill ∞ (stepplesly) | .30                       | from Ø100- ∞     | 20 | 160     | 30-50 | M8/M10 | 0,4/1,0        |

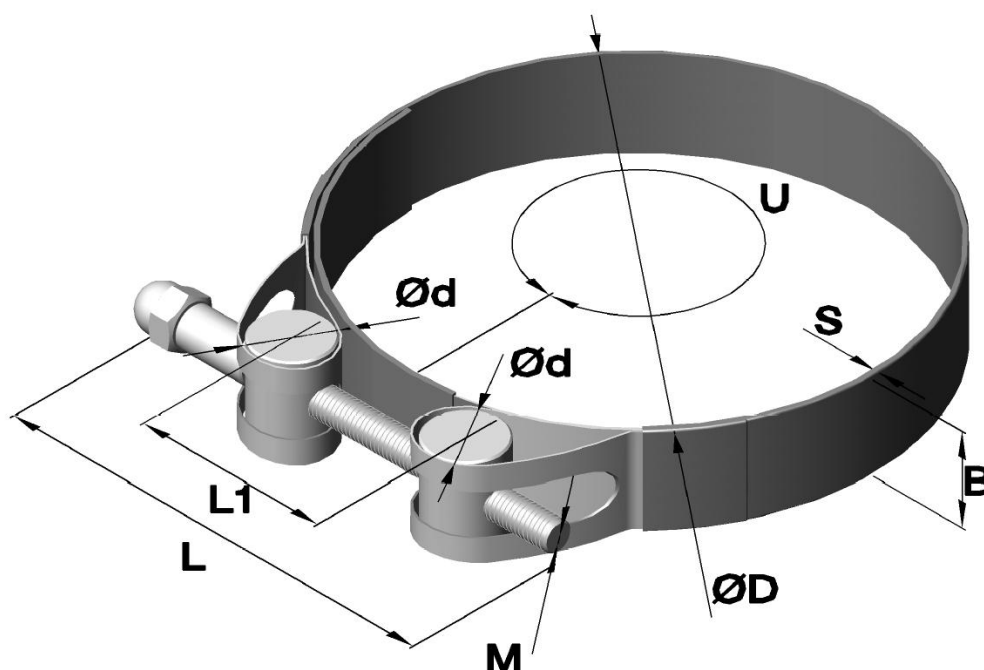
Further combinations are possible

## Tension bands and hose clamps

Hinge bolt tension band „Series 1801“  
with plastic rubber profile

Combination-example:

- band 30x0,4mm with rubber profile
- bolt  $\text{Ø}20 \times 30\text{mm}$  1730.QB.30/M8
- threaded rod M8x120mm



Standard dimensions in accordance with DN (Diameter Nominal)

| Article no. |                |    | Dimensions in mm |         |      |    |     |    |    |                |
|-------------|----------------|----|------------------|---------|------|----|-----|----|----|----------------|
| Series      | B<br>Bandwidth | DN | Material         | Ø D     | U    | d  | L   | L1 | M  | S<br>Thickness |
|             |                |    | Raw              |         |      |    |     |    |    |                |
|             |                |    | Stainless steel  |         |      |    |     |    |    |                |
| 1830.       | DN 100.        | 30 |                  | Ø 114,3 | 359  | 20 | 120 | 50 | M8 | 0,4            |
| 1830.       | DN 125.        | 30 |                  | Ø 139,7 | 439  | 20 | 120 | 50 | M8 | 0,4            |
| 1830.       | DN 150.        | 30 |                  | Ø 168,3 | 529  | 20 | 120 | 50 | M8 | 0,4            |
| 1830.       | DN 200.        | 30 |                  | Ø 219,1 | 688  | 20 | 120 | 50 | M8 | 0,4            |
| 1830.       | DN 250.        | 30 |                  | Ø 273,0 | 858  | 20 | 120 | 50 | M8 | 0,4            |
| 1830.       | DN 300.        | 30 |                  | Ø 323,9 | 1018 | 20 | 120 | 50 | M8 | 0,4            |

Further combinations are possible



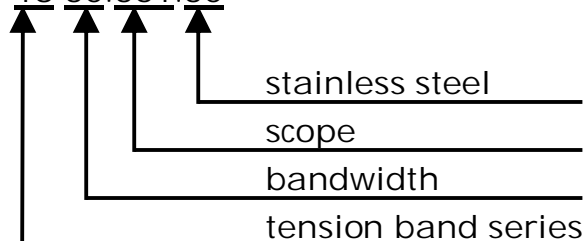
## Tension bands and hose clamps

Hinge bolt tension band „Series 1801“  
with rubber profile



Order example:

Art.no. 18 30.361.30



| Article no. |                     |                                |                           | Dimensions in mm |    |         |       |        |                |
|-------------|---------------------|--------------------------------|---------------------------|------------------|----|---------|-------|--------|----------------|
| Series      | B<br>Band-<br>width | U<br>Scope in mm               | Material                  | Ø D              | d  | L       | L1    | M      | S<br>Thickness |
|             |                     |                                | Raw<br>Stainless<br>steel |                  |    |         |       |        |                |
| 18          | 20.                 | from 315-untill ∞ (stepplesly) | .30                       | from Ø100- ∞     | 20 | 100-160 | 30-50 | M8/M10 | 0,4/1,0        |
| 18          | 25.                 | from 315-untill ∞ (stepplesly) | .30                       | from Ø100- ∞     | 20 | 120-160 | 30-50 | M8/M10 | 0,4/1,0        |
| 18          | 30.                 | from 315-untill ∞ (stepplesly) | .30                       | from Ø100- ∞     | 20 | 160     | 30-50 | M8/M10 | 0,4/1,0        |
| 18          | 35.                 | from 315-untill ∞ (stepplesly) | .30                       | from Ø100- ∞     | 20 | 160     | 30-50 | M8/M10 | 0,4/1,0        |
| 18          | 40.                 | from 315-untill ∞ (stepplesly) | .30                       | from Ø100- ∞     | 20 | 160     | 30-50 | M8/M10 | 0,4/1,0        |
| 18          | 50.                 | from 315-untill ∞ (stepplesly) | .30                       | from Ø100- ∞     | 20 | 160     | 30-50 | M8/M10 | 0,4/1,0        |

## Tension bands and hose clamps

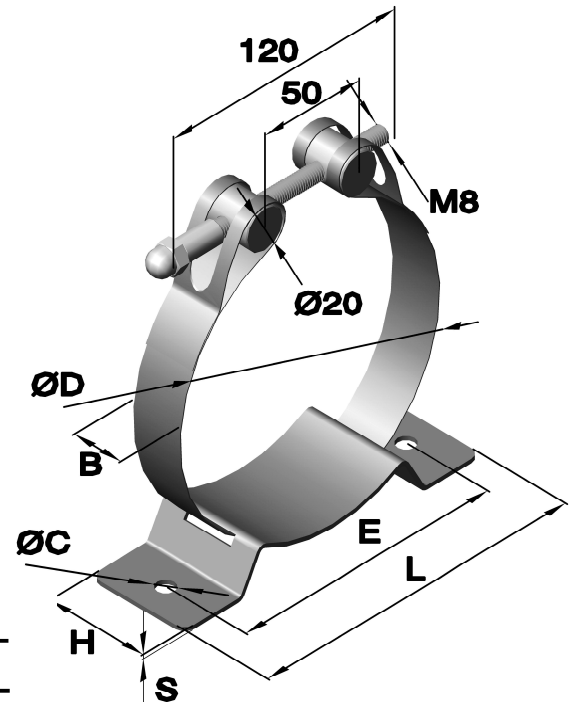
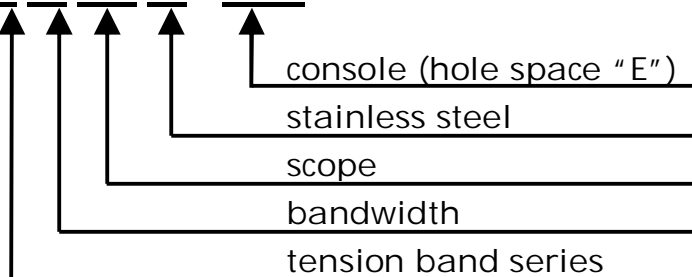
### Hinge bolt tension band „Series 1901“ type1 with console

Combination-example:

- band 25x0,4mm
- bolt Ø20x25mm
- threaded rod M8x120mm

Order example:

Art.no 19 25 100.30 / K130



| Article no. |                |                                 |                 |                  | Dimensions in mm |     |    |     |   |        |
|-------------|----------------|---------------------------------|-----------------|------------------|------------------|-----|----|-----|---|--------|
| Series      | B<br>Bandwidth | Ø D                             | Material        |                  | Ø C              | E   | H  | L   | S | Band   |
|             |                |                                 | Stainless steel | Console/<br>Type |                  |     |    |     |   |        |
| 19          | 20.            | from Ø100-untill ∞ (stepplesly) | .30             | /K130/1          | 9                | 130 | 50 | 160 | 2 | 20x0,4 |
| 19          | 25.            | from Ø100-untill ∞ (stepplesly) | .30             | /K130/1          | 9                | 130 | 50 | 160 | 2 | 25x0,4 |
| 19          | 20.            | from Ø150-untill ∞ (stepplesly) | .30             | /K170/1          | 9                | 170 | 50 | 200 | 2 | 20x0,4 |
| 19          | 25.            | from Ø150-untill ∞ (stepplesly) | .30             | /K170/1          | 9                | 170 | 50 | 200 | 2 | 25x0,4 |
| 19          | 20.            | from Ø200-untill ∞ (stepplesly) | .30             | /K220/1          | 9                | 220 | 50 | 250 | 2 | 20x0,4 |
| 19          | 25.            | from Ø200-untill ∞ (stepplesly) | .30             | /K220/1          | 9                | 220 | 50 | 250 | 2 | 25x0,4 |

Standard dimensions in accordance with DN (Diameter Nominal)

| Article no. |                |       |                 | Dimensions in mm |      |              |    |     |    |    |        |
|-------------|----------------|-------|-----------------|------------------|------|--------------|----|-----|----|----|--------|
| Series      | B<br>Bandwidth | DN    | Material        | Ø D              | U    | E<br>Console | d  | L   | L1 | M  | Band   |
|             |                |       | Raw             |                  |      |              |    |     |    |    |        |
|             |                |       | Stainless steel |                  |      |              |    |     |    |    |        |
| 1925.       | DN 100.        | 30/01 |                 | Ø 114,3          | 359  | 130          | 20 | 120 | 50 | M8 | 25x0,4 |
| 1925.       | DN 125.        | 30/01 |                 | Ø 139,7          | 439  | 130          | 20 | 120 | 50 | M8 | 25x0,4 |
| 1925.       | DN 150.        | 30/01 |                 | Ø 168,3          | 529  | 170          | 20 | 120 | 50 | M8 | 25x0,4 |
| 1925.       | DN 200.        | 30/01 |                 | Ø 219,1          | 688  | 170          | 20 | 120 | 50 | M8 | 25x0,4 |
| 1925.       | DN 250.        | 30/01 |                 | Ø 273,0          | 858  | 220          | 20 | 120 | 50 | M8 | 25x0,4 |
| 1925.       | DN 300.        | 30/01 |                 | Ø 323,9          | 1018 | 220          | 20 | 120 | 50 | M8 | 25x0,4 |

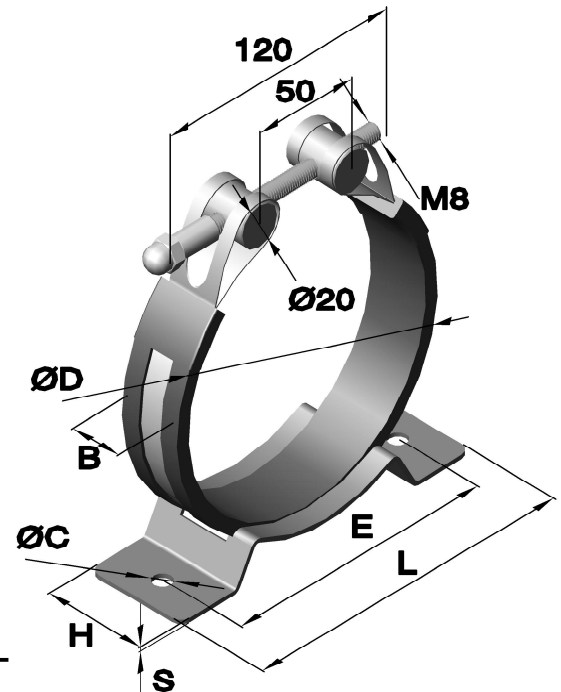
Further combinations are possible

## Tension bands and hose clamps

Hinge bolt tension band „Series 1901“ type 2  
with console and C-rubber profile

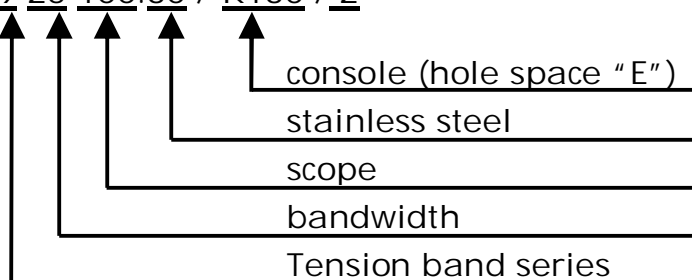
Combination-example:

- band 25x0,4mm
- bolt Ø20x25mm 1725.QB.30/M8
- threaded rod M8x120mm



Order example:

Art.no 19 25 100.30 / K130 / 2



| Article no. |                |                                |                 |              | Dimensions in mm |     |    |     |   |        |
|-------------|----------------|--------------------------------|-----------------|--------------|------------------|-----|----|-----|---|--------|
| Series      | B<br>Bandwidth | Ø D                            | Material        |              | Ø C              | E   | H  | L   | S | Band   |
|             |                |                                | Stainless steel | Console/Type |                  |     |    |     |   |        |
| 19          | 25.            | from Ø100-untill ∞ (steplesly) | .30             | /K130/2      | 9                | 130 | 50 | 160 | 2 | 25x0,4 |
| 19          | 25.            | from Ø150-untill ∞ (steplesly) | .30             | /K170/2      | 9                | 170 | 50 | 200 | 2 | 25x0,4 |
| 19          | 25.            | from Ø200-untill ∞ (steplesly) | .30             | /K220/2      | 9                | 220 | 50 | 250 | 2 | 25x0,4 |

Standard dimensions in accordance with DN (Diameter Nominal)

| Article no. |                |         |                 | Dimensions in mm |      |              |    |     |    |    |        |
|-------------|----------------|---------|-----------------|------------------|------|--------------|----|-----|----|----|--------|
| Series      | B<br>Bandwidth | DN      | Material        | Ø D              | U    | E<br>Console | d  | L   | L1 | M  | Band   |
|             |                |         | Raw             |                  |      |              |    |     |    |    |        |
|             |                |         | Stainless steel |                  |      |              |    |     |    |    |        |
|             | 1925.          | DN 100. | 30/02           | Ø 114,3          | 359  | 130          | 20 | 120 | 50 | M8 | 25x0,4 |
|             | 1925.          | DN 125. | 30/02           | Ø 139,7          | 439  | 130          | 20 | 120 | 50 | M8 | 25x0,4 |
|             | 1925.          | DN 150. | 30/02           | Ø 168,3          | 529  | 170          | 20 | 120 | 50 | M8 | 25x0,4 |
|             | 1925.          | DN 200. | 30/02           | Ø 219,1          | 688  | 170          | 20 | 120 | 50 | M8 | 25x0,4 |
|             | 1925.          | DN 250. | 30/02           | Ø 273,0          | 858  | 220          | 20 | 120 | 50 | M8 | 25x0,4 |
|             | 1925.          | DN 300. | 30/02           | Ø 323,9          | 1018 | 220          | 20 | 120 | 50 | M8 | 25x0,4 |

Further combinations are possible

## Tension bands and hose clamps

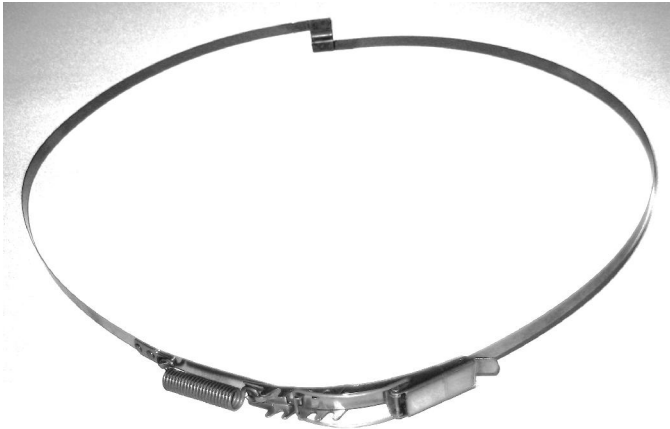
### Tension band „Special construction “

Tension band „Series 1301 “



## Tension bands and hose clamps

Tension band „Series 1201“ with spring  
with offset for spiral hose



Tension band „Series 1201“  
without spring



Hose clamps „Series 1501“  
with console and C-rubber profile e.g. for hose clamps according to customer requirements



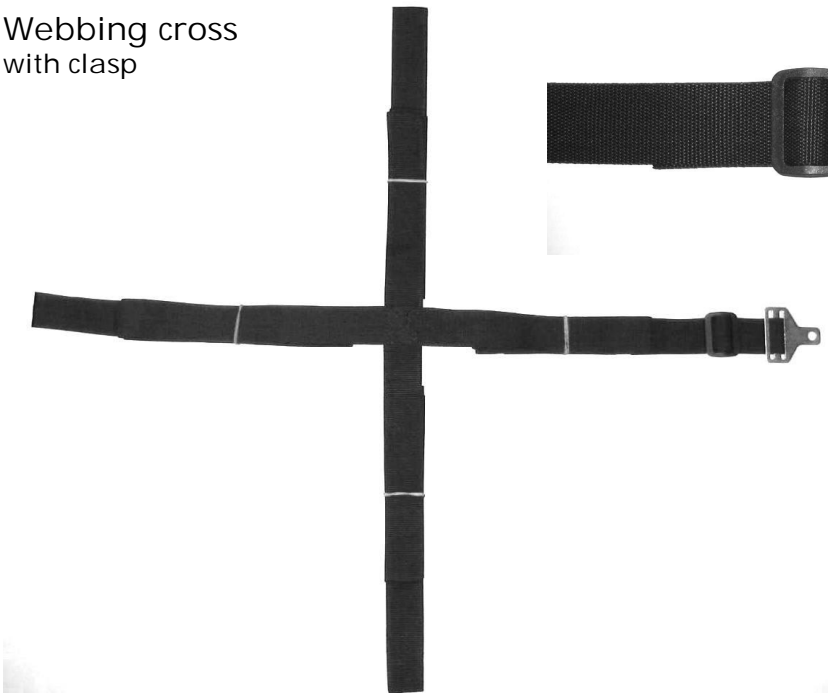
## Tension bands and hose clamps

Further combinations are possible



## Webbings

Webbing cross  
with clasp



Webbing  
with latch with R-Pin



Webbing  
with clasp



Further combinations are possible