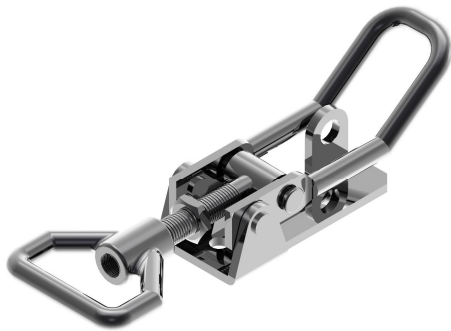
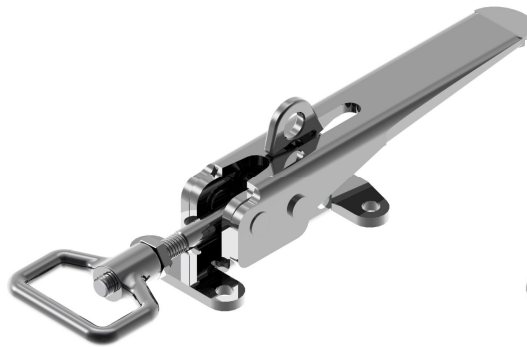




Heavy latches



Art.:2001



Art.:2003



Art.:2004



Art.:3125



Art.:3320



Art.:3520

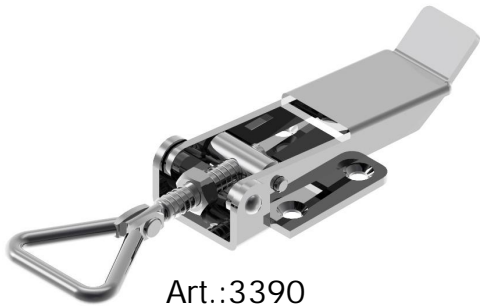


Art.:3157



Art.: 6266

Heavy latches



Art.:3390



Art.:3475



Art.:3470-90°



Art.:3471-90°



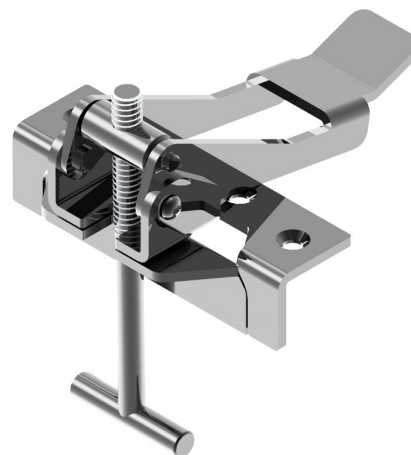
Art.:3472-90°



Art.:3480-90°



Art.:99.V18L01-Z-1BP

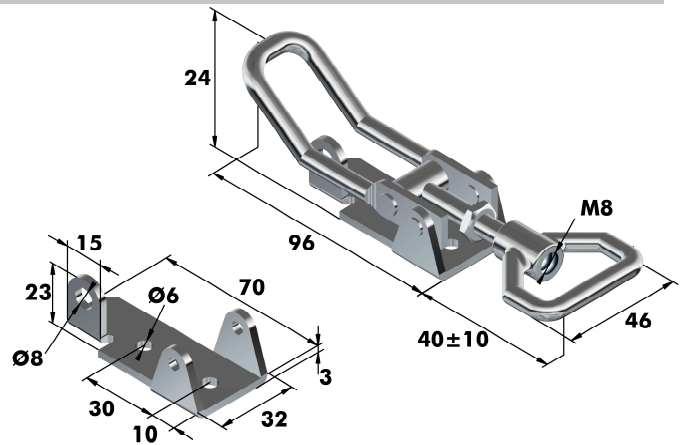


Art.:99.3475.30-V2

Heavy latches

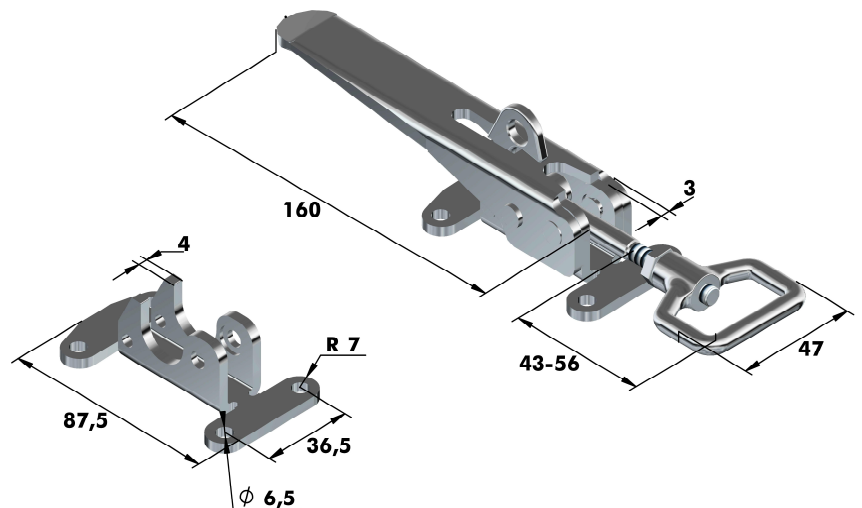
Art. no.: 2001 (perforated)
with secondary loop lock
adjustable

Article no.	
Series	Material
	Zinc plated
2001	Steel
	.04



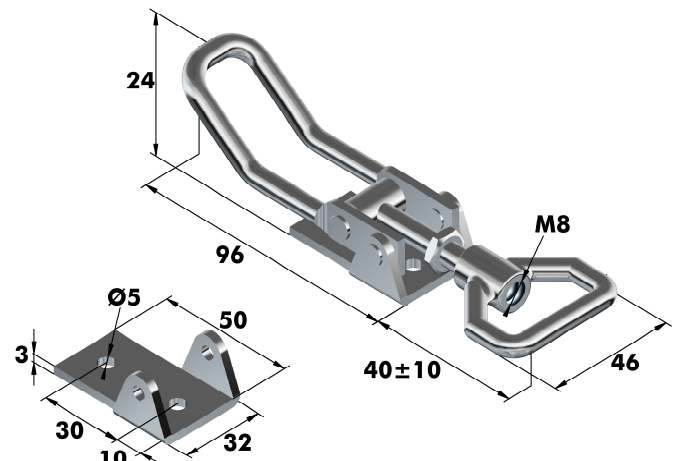
Art. no.: 2003 (perforated)
with spring protection
adjustable

Article no.	
Series	Material
	Zinc plated
2003	Steel
	.04



Art.Nr. 2004 (perforated)
adjustable

Article no.	
Series	Material
	Zinc plated
2004	Steel
	.04

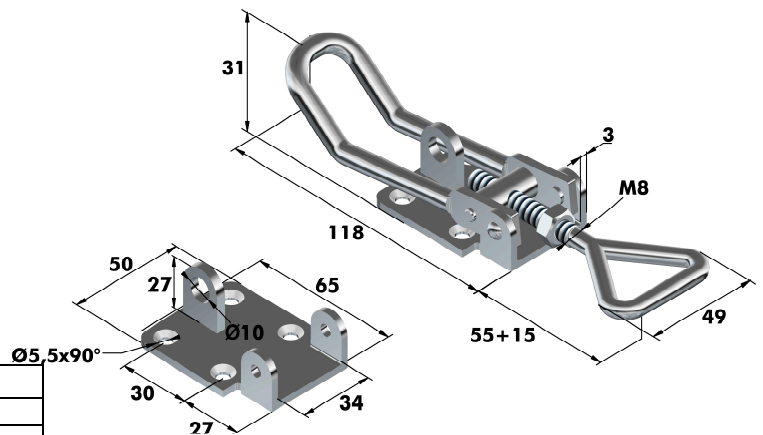


Heavy latches

Art. no.: 3125 (perforated and countersunk)
with secondary loop lock
adjustable

Maximum load: ca. 5000 N

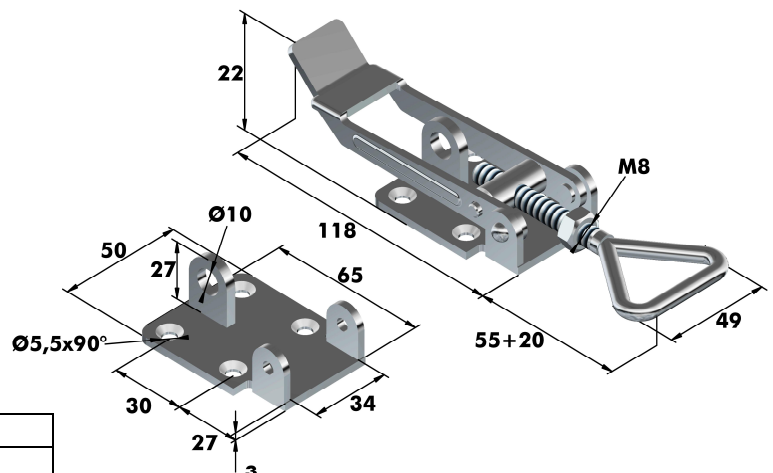
Article no.	
Series	Material
	Zinc plated
3125	Steel
	.04



Art. no.: 3320 (perforated and countersunk)
with secondary loop lock
adjustable

Maximum load: ca. 5000 N

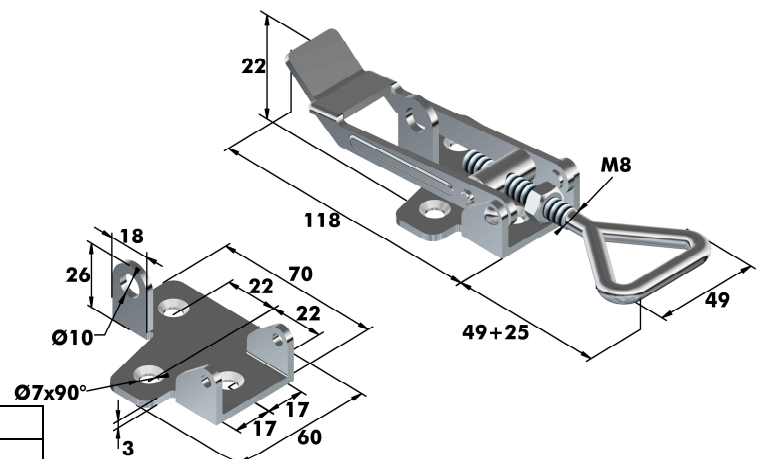
Article no.		
Series	Material	
	Zinc plated	Polished
3320	Steel	Stainless steel
	.04	.33



Art. no.: 3520 (perforated and countersunk)
with secondary loop lock
adjustable

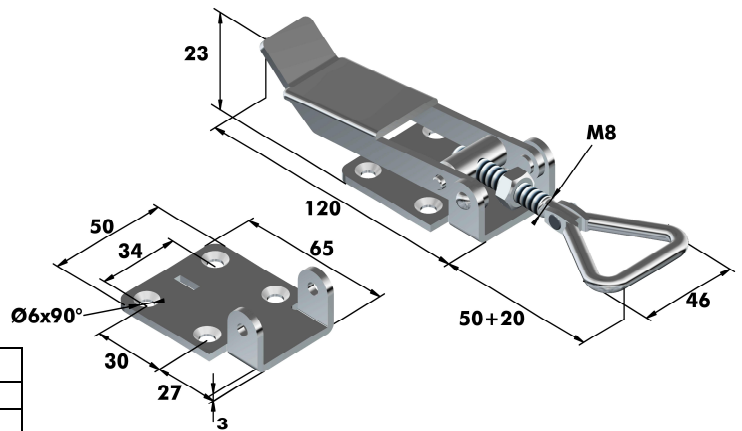
Maximum load: ca. 5000 N

Article no.		
Series	Material	
	Zinc plated	Polished
3520	Steel	Stainless steel
	.04	.33



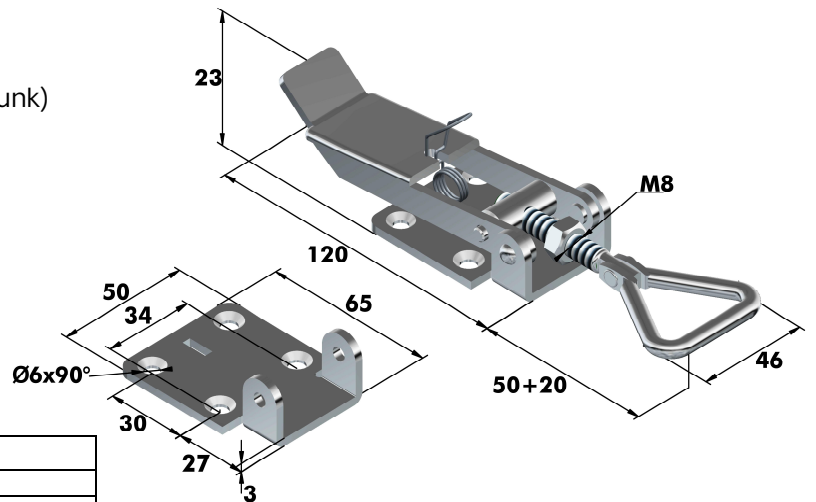
Heavy latches

Art. no.: 3390 (perforated and countersunk)
adjustable



Article no.	
Series	Material
	Raw
3390	Stainless steel
	.30

Art. no.: 3475 (perforated and countersunk)
with spring protection
adjustable

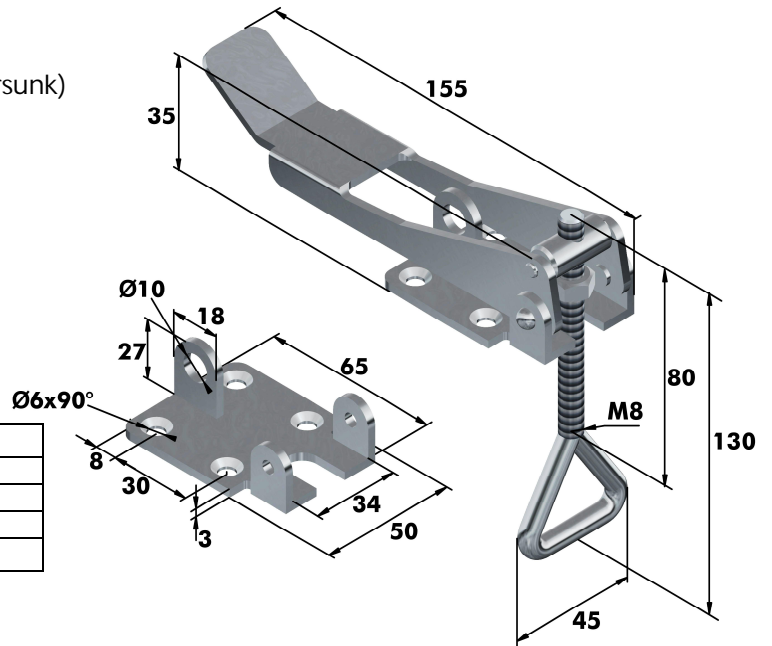


Article no.	
Series	Material
	Raw
3475	Stainless steel
	.30

Heavy latches

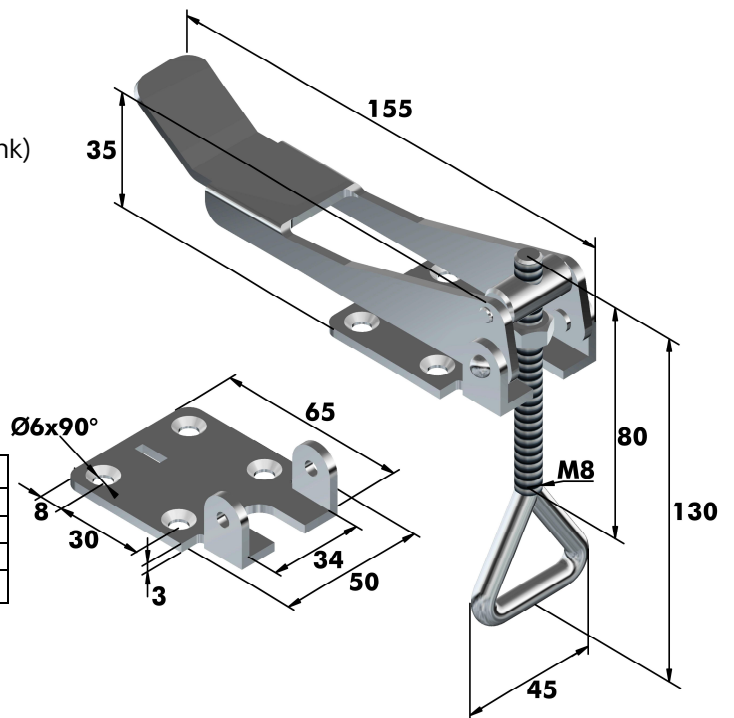
Art. no.: 3470-90° (perforated and countersunk)
with secondary loop lock
adjustable

Article no.		
Series	Material	
	Zinc plated	Raw
3470	Steel	Stainless steel
	.04	.30



Art. no.: 3471-90° (perforated and countersunk)
adjustable

Article no.		
Series	Material	
	Zinc plated	Raw
3471	Steel	Stainless steel
	.04	.30

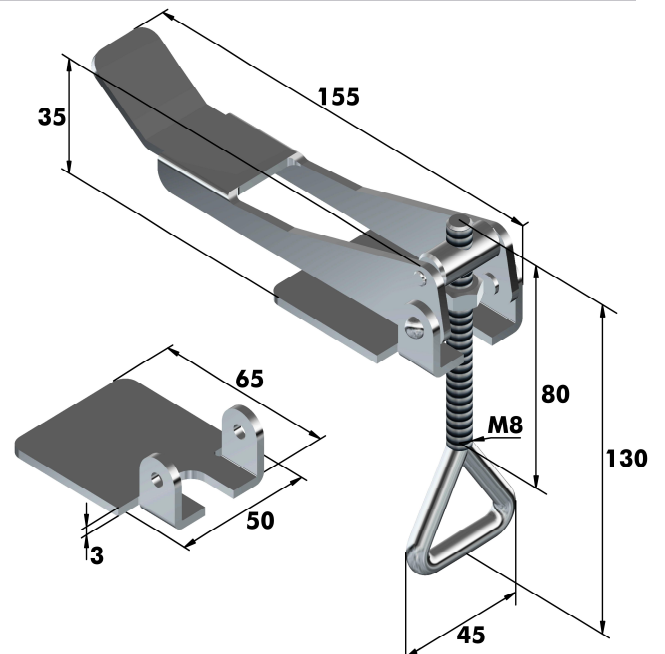


Heavy latches

Art. no.: 3472-90°

adjustable

Article no.		
Series	Material	
	Zinc plated	Raw
3472	Steel	Stainless steel
	.04	.30

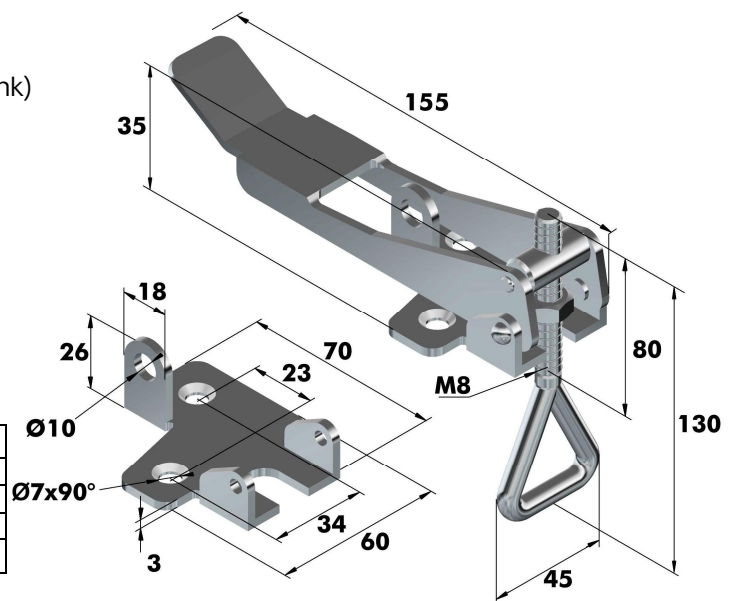


Art. no.: 3480-90° (perforated and countersunk)

with secondary loop lock

adjustable

Article no.		
Series	Material	
	Zinc plated	Raw
3480	Steel	Stainless steel
	.04	.30



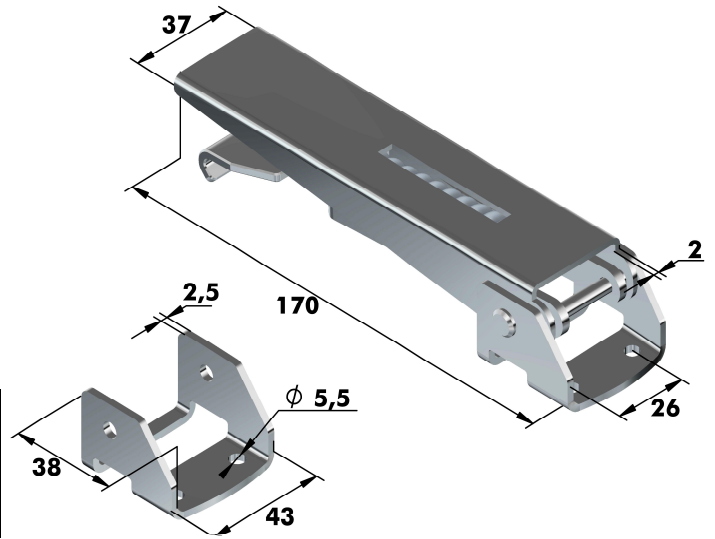
Heavy latches

Art.no. 99.V18L01-Z-1BP (perforated)

with adjustable hook
and adjustable spring force

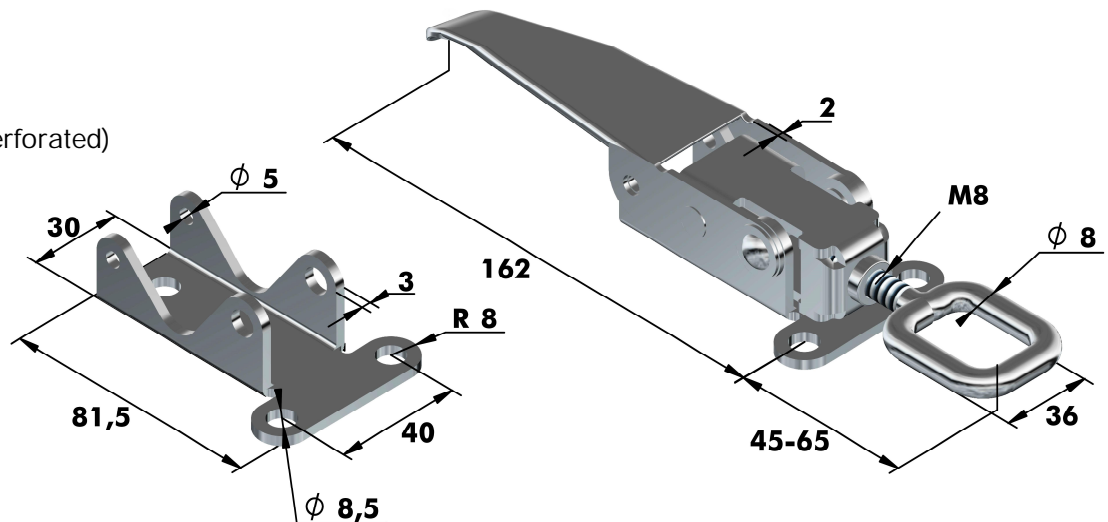
Figure shows an example

Possible design on request.



Article no.	
Series	Material
	Raw
	Stainless steel
99.V18L01-Z-1BP	.30

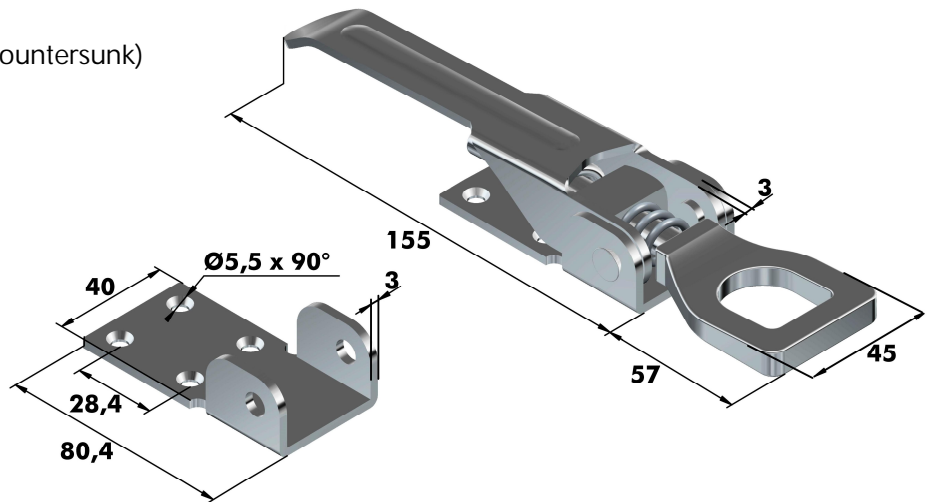
Art.no. 3157 (perforated)
adjustable



Article no.	
Series	Material
	Zinc plated
	Steel
3157	.04

Heavy latches

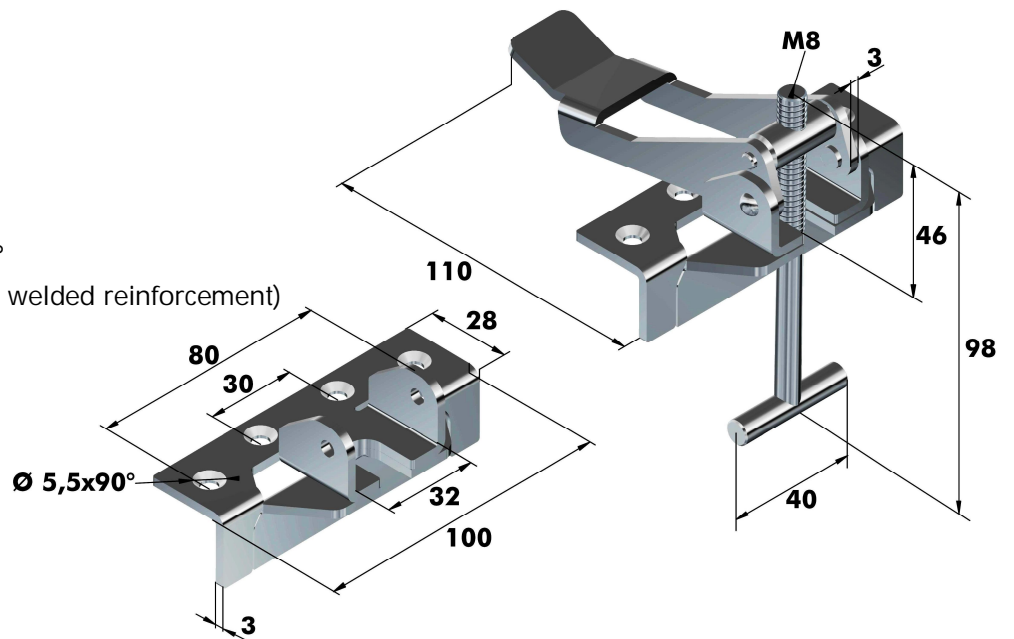
Art.no.6266 (perforated and countersunk)
adjustable
with spring



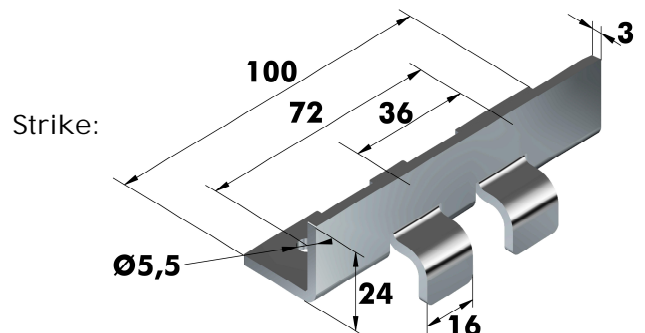
Article no.	
Series	Material
	Zinc plated
	Steel
6266	.04

Art.no. 99.3475-90°
(perforated, countersunk with welded reinforcement)
adjustable
with suitable strike

for heavy loads



Article no.	
Series	Material
	Raw
	Stainless steel
99.3475	.30



Heavy latches



Management
System
ISO 14001:2015
www.tuv.com
ID: 9108624624

Phone:
Fax:
Email:
Homepage:

+49 (0) 231 / 725 790 -0
+49 (0) 231 / 725 790 -10
info@hokon-verschluss technik.de
www.hokon-verschluss technik.de