



## Latches with sheet metal bracket



Art.: 1020



Art.: 1026



Art.: 2005



Art.: 2006



Art.: 2030



Art.: 2031



Art.: 6606



Art.: 1036



Art.: 6208



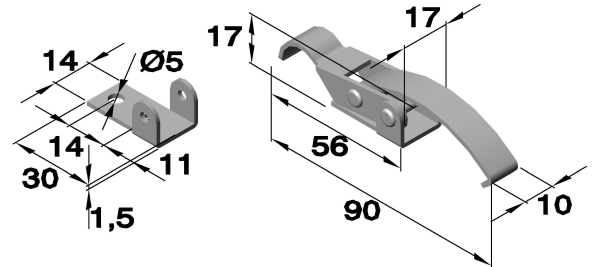
Art.: 6236

## Latches with sheet metal bracket

Art. no.: 1020 (drilled)

Permitted tractive force: 500N  
Breaking strength: 900N

Suitable clamps: see chapter „B“

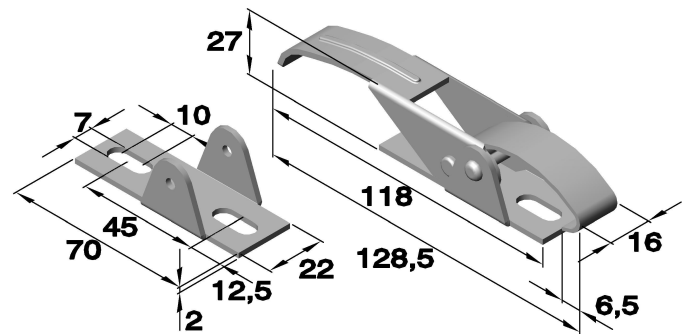


Article no.				
Series	Material			
	Raw Steel	Nickel plated Steel	Zinc plated Steel	Raw Stainless steel
1020	.00/6	.01/6	.04/6	.30/6

Art. no.: 1026 (drilled)

Permitted tractive force: 750 N  
Breaking strength: 1500 N

Suitable clamps: see chapter „B“



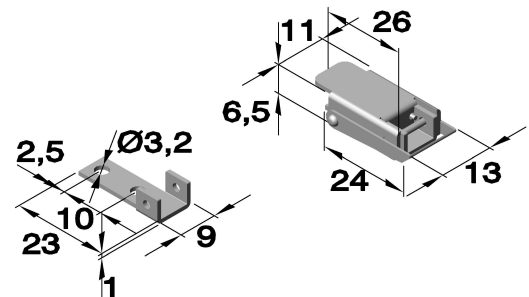
Article no.	
Series	Material
	Zinc plated Steel
1026	.04/6

Art. no.: 1036 (drilled, with spring)

Permitted tractive force: 150 N  
Breaking strength: 300 N

Suitable clamps: see chapter „B“

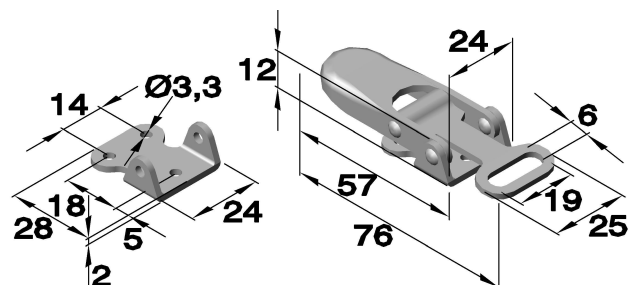
Art. no.: 1036.\_\_/5



Article no.	
Series	Material
	Zinc plated Steel
1036	.04/6

Art. no.: 2005 (drilled)

Suitable clamps: see chapter „B“



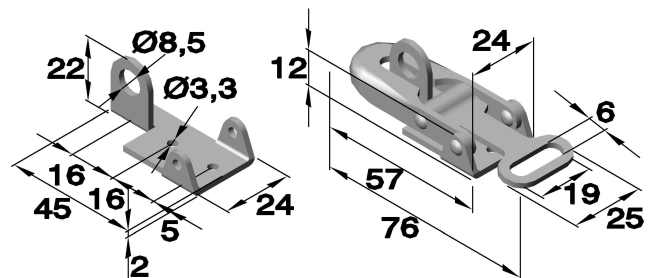
Article no.		
Series	Material	
	Raw Steel	Zinc plated Steel
2005	.00	.04

## Latches with sheet metal bracket

Art. no.: 2006 (drilled)

Suitable clamps: see chapter „B“

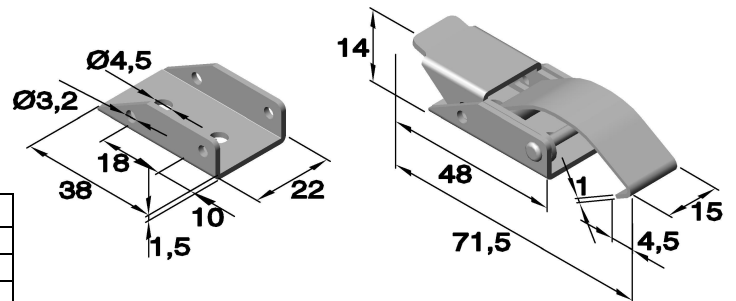
Article no.		
Series	Material	
	Raw	Zinc plated
2006	Steel	Steel
	.00	.04



Art. no.: 2030 (drilled)

Suitable clamps: see chapter „B“

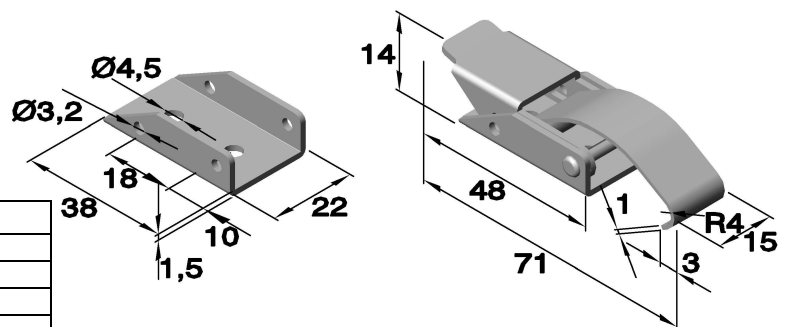
Article no.		
Series	Material	
	Zinc plated	Raw
2030	Steel	Stainless steel
	.04	.30



Art. no.: 2031 (drilled)

Suitable clamps: see chapter „B“

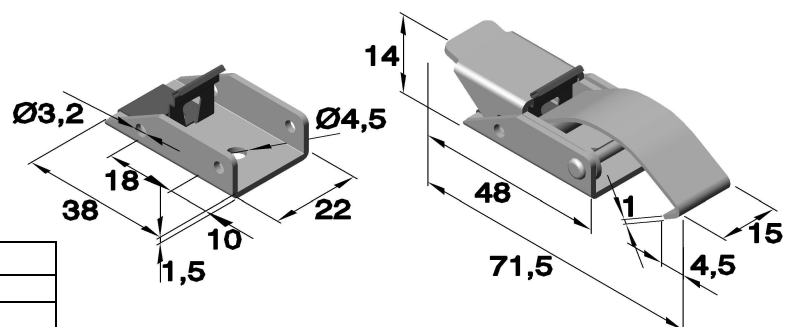
Article no.		
Series	Material	
	Zinc plated	Raw
2031	Steel	Stainless steel
	.04	.30



Art. no.: 2035/1 (drilled)  
with safety spring

Suitable clamps: see chapter „B“

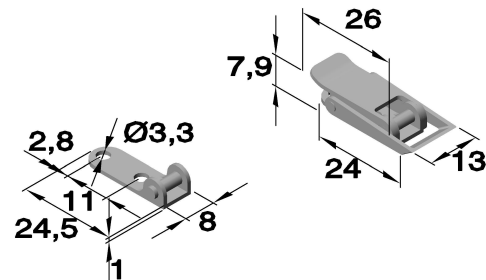
Article no.	
Series	Material
	Raw
2035/1	Stainless steel
	.30



## Latches with sheet metal bracket

Art. no.: 6208.02 (drilled)  
with spring clamp

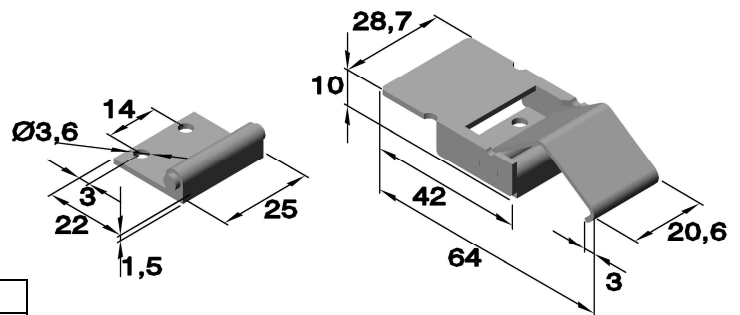
Suitable clamps: see chapter „B“  
Art. no.: 6379.01.30



Article no.	
Series	Material
	Raw
	Stainless steel
6208	.02.30

Art. no.: 6236 (drilled)

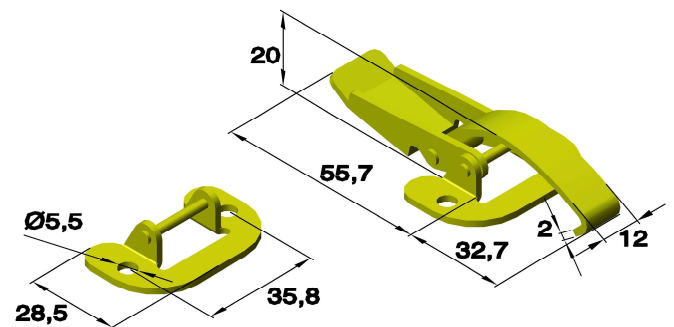
Suitable clamps: see chapter „B“



Article no.		
Series	Material	
	Zinc plated	Raw
	Steel	Stainless steel
6236	.01.04	.02.30

Art.no. 6606(drilled)

Suitable clamps: see chapter „B“



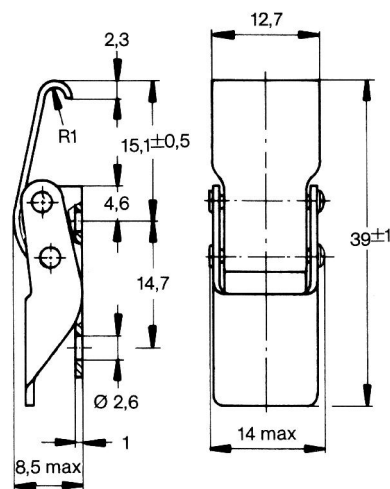
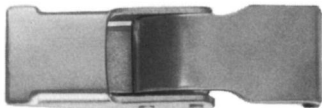
Article no.	
Series	Material
	Zinc plated
	Yellow chromated
6606	.08

# Latches

with sheet metal bracket

Art.no. V934L (drilled)

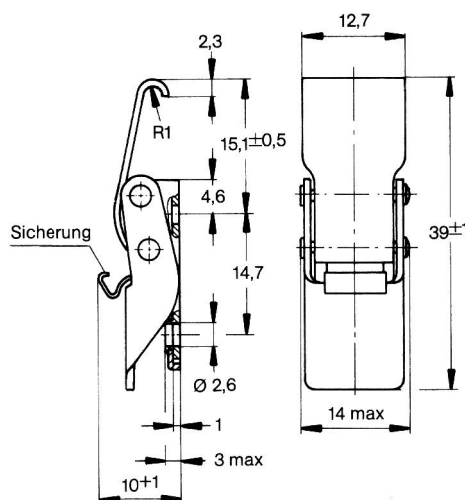
Tensile load max. 550 N  
Operating load 310 N



Article no.		
Series	Material	
	Raw	Zinc plated
V934L01-1-1	BP	AGV

Art.no. V934L (drilled)

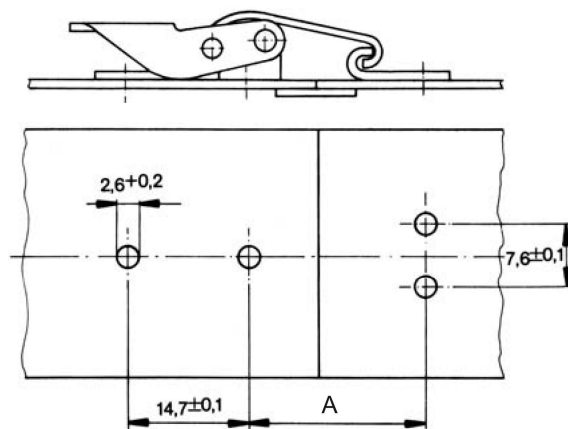
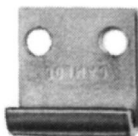
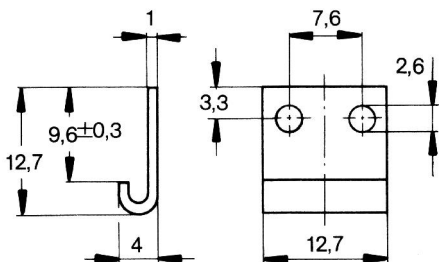
Tensile load max. 550 N  
Operating load 310 N



Article no.		
Series	Material	
	Raw	Zinc plated
V934L01-1X-1	BP	AGV

Suitable clamps

Article no.		
Series	Material	
	Raw	Zinc plated
V934L02-1	BP	AGV



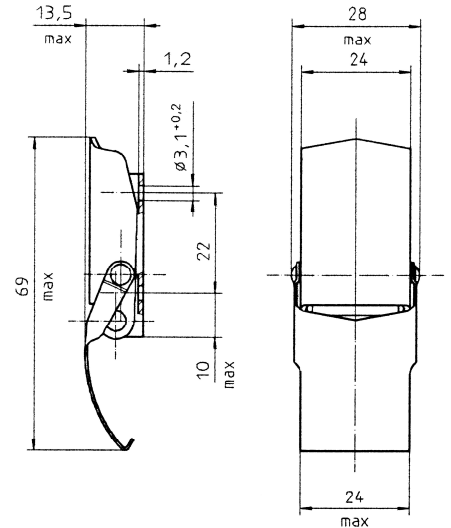
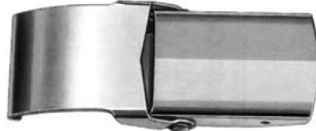
A = min. 23,7mm; Observed tolerance compensation/ preload when you install.

# Latches

with sheet metal bracket

Art.no. 1429L (drilled)

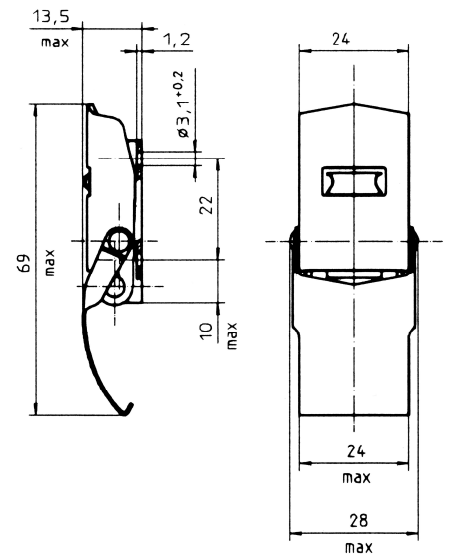
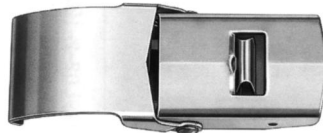
Clamps 1AG 1BP  
Tensile load max. 450 N 300 N  
Operating load 330 N 210 N



Article no.		
Series	Material	
	Zinc plated	Raw
1429L02-1-1	Steel	Stainless Steel
	AG	BP

Art.Nr. 1429L (drilled)

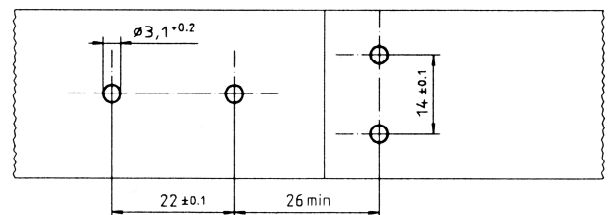
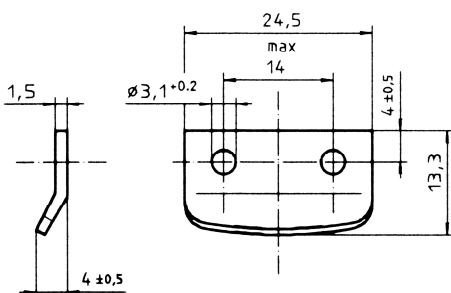
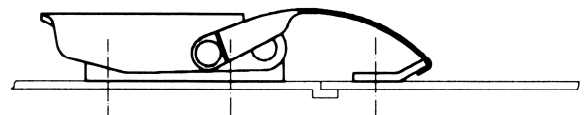
Clamps 1AG 1BP  
Tensile load max. 450 N 300 N  
Operating load 330 N 210 N



Article no.		
Series	Material	
	Zinc plated	Raw
1429L02-1X-1	Steel	Stainless Steel
	AG	BP

## Suitable clamps

Article no.		
Series	Material	
	Zinc plated	Raw
1429L8-1	Steel	Stainless steel
	AG	BP

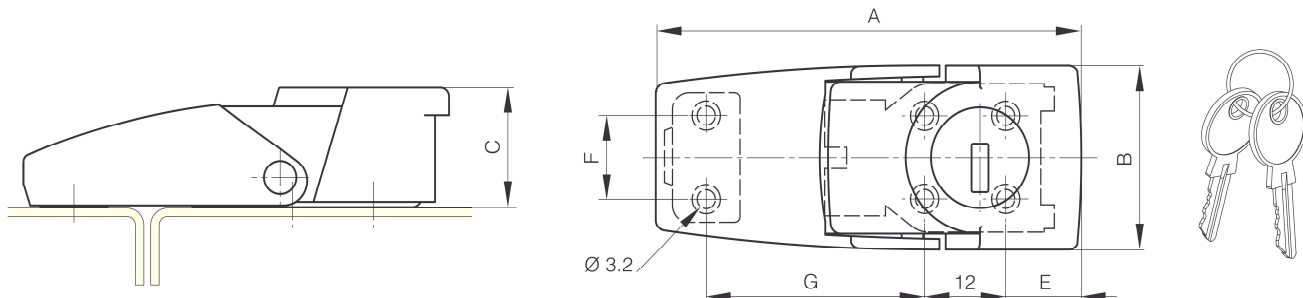


## Latches with sheet metal bracket

Art.no.:6344

Strike plate included.

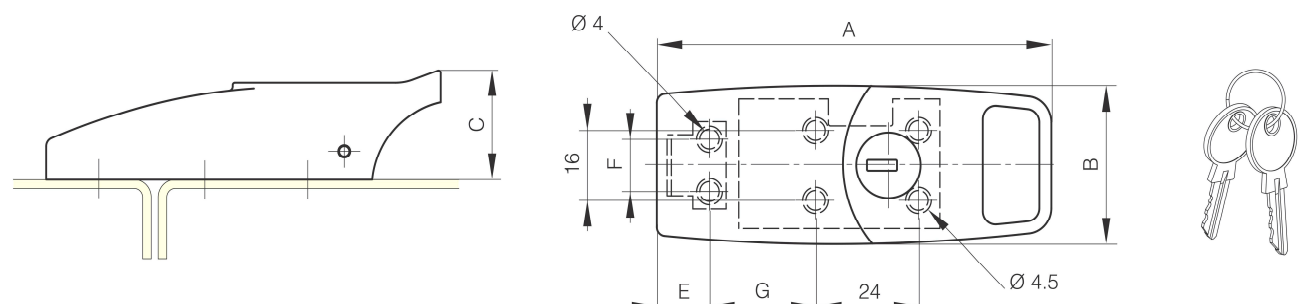
Article no.			Dimension in mm						
Series	Model	Material		A	B	C	E	F	G
		Black coated Zamak							
6344	.01	.50	with lock	64,5	26,5	17,3	13	12	30
6344	.02	.50	without lock	64,5	26,5	17,3	13	12	30
6344	.03	.50	with lock	76	32	21	16,8	16	35,5
6344	.04	.50	without lock	76	32	21	16,8	16	35,5



Art.no.:6332

Strike plate included.

Article no.		Dimension in mm					
Series	Material	A	B	C	E	F	G
	Black coated						
	Zamak						
6332	.50	92	36	25	12	12	28-32

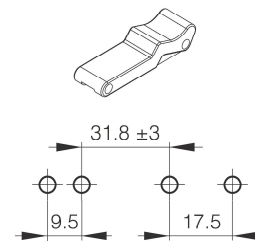
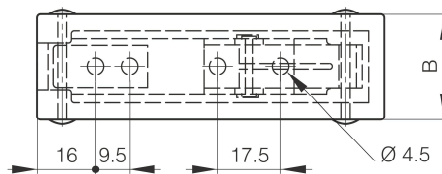
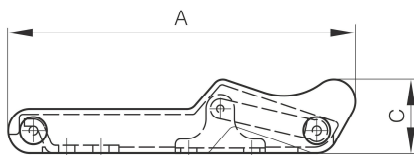


## Latches with sheet metal bracket

Art.no.:6345

Strike plate included.

Article no.		Dimension in mm			
Series	Type	Material	A	B	C
		Black			
		Elastomer (Rubber)			
6345	.01	.80	96,5	29	20



Art.no.:6345

Strike plate included.

Article no.		Dimension in mm			
Series	Type	Material	A	B	C
		Black			
		Elastomer (Rubber)			
6345	.02	.80	151	45,7	29,5

