



## Latches with wire bracket



Art.: 1001



Art.: 1002



Art.: 1003



Art.: 1008



Art.: 1009



Art.: 1010



Art.: 1012



Art.: 1013



Art.: 1014



Art.: 1017



Art.: 1018



Art.: 1019



Art.: 1021



Art.: 1022



Art.: 1023



## Latches with wire bracket



Art.: 1035



Art.: 1037



Art.: 1039



Art.: 1042



Art.: 3001



Art.: 3002



Art.: 3004



Art.: 3005



Art.: 3006



Art.: 3007



Art.: 3008



Art.: 3009



Art.: 3011



Art.: 3135



Art.: 6370



Art.: 1070



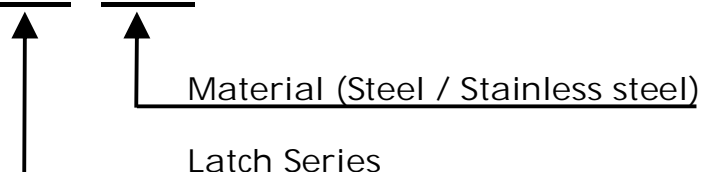
## Latches With wire bracket

### Materials and surface finishes:

.00	Raw steel
.01	Nickel-plated
.02	Brassed
.03	Chromated
.04	Zinc plated steel
.05	Bronzed
.06	Black galvanized
.07	Blued
.08	Yellow chromated
.09	EPD (Electrophoretic deposition)
.10	Anodized silver-coloured
.20	Raw brass
.22	Polished brass
.23	Chromated brass
.30	Raw stainless steel (Stainless steel)
.33	Polished stainless steel
.35	Raw stainless steel (1.4401)
.50	Raw Zamak (zinc aluminium magnesium copper)
.70	Raw aluminium
.80	Raw polyamide

### Ordering example:

Art.No. 1001 . 00/30

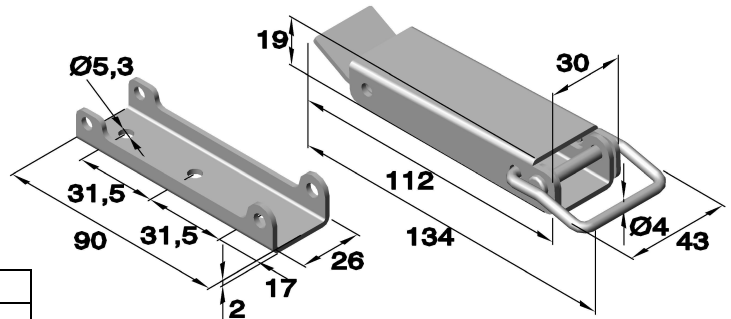


## Latches with wire bracket

Art. no.: 1001 (drilled)

Permitted tractive force: 2000 N  
Breaking strength: 4000 N

Suitable strikes: see chapter „B“  
Art. no.: 1001.\_\_/5

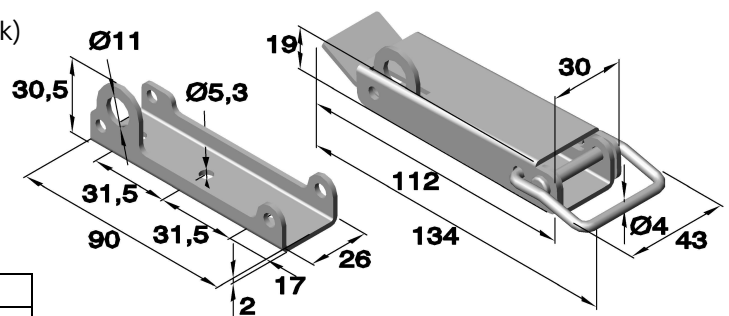


Article no.				
Series	Material			
	Raw	Nickel plated	Zinc plated	Raw
	Steel	Steel	Steel	Stainless steel
1001	.00/6	.01/6	.04/6	.30/6

Art. no.: 1002 (drilled, with secondary loop lock)

Permitted tractive force: 2000 N  
Breaking strength: 4000 N

Suitable strikes: see chapter „B“  
Art. no.: 1001.\_\_/5

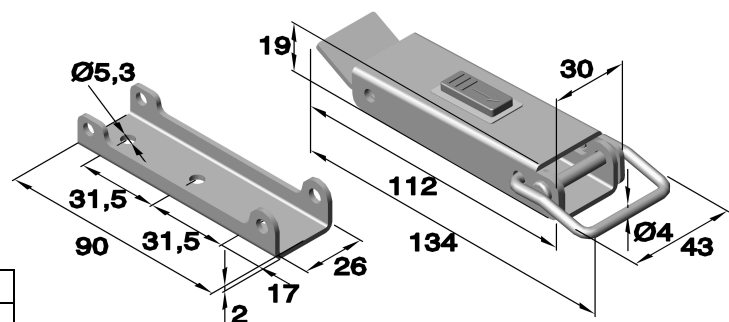


Article no.				
Series	Material			
	Raw	Nickel plated	Zinc plated	Raw
	Steel	Steel	Steel	Stainless steel
1002	.00/6	.01/6	.04/6	.30/6

Art. no.: 1003 (drilled, with safety interlock)

Permitted tractive force: 2000 N  
Breaking strength: 4000 N

Suitable strikes: see chapter „B“  
Art. no.: 1001.\_\_/5



Article no.		
Series	Material	
	Nickel plated	Raw
	Steel	Stainless steel
1003	.01/6	.30/6

## Latches with wire bracket

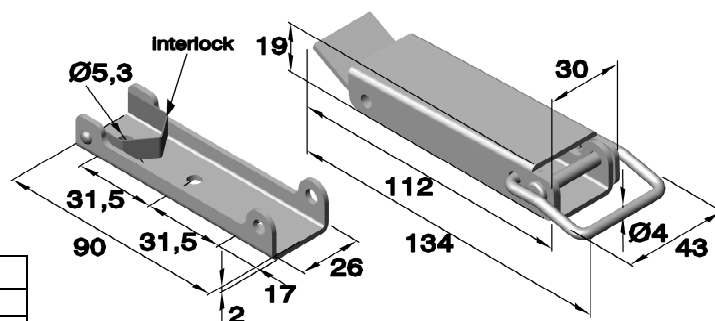
Art. no.: 1004 (drilled, with click-interlock)

Permitted tractive force: 2000 N

Breaking strength: 4000 N

Suitable strikes: see chapter „B“

Art. no.: 1001.\_\_/5



Article no.				
Series	Material			
	Nickel plated	Zinc plated	Raw	
	Steel	Steel	Stainless steel	
1004	.01/6	.04/6	.30/6	

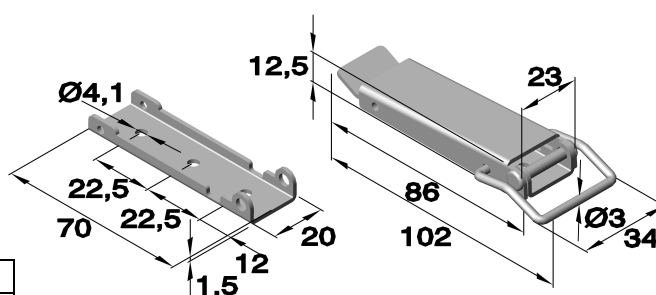
Art. no.: 1006 (drilled)

Permitted tractive force: 1500 N

Breaking strength: 3000 N

Suitable strikes: see chapter „B“

Art. no.: 1006.\_\_/5



Article no.				
Series	Material			
	Raw	Nickel plated	Zinc plated	Raw
	Steel	Steel	Steel	Stainless steel
1006	.00/6	.01/6	.04/6	.30/6

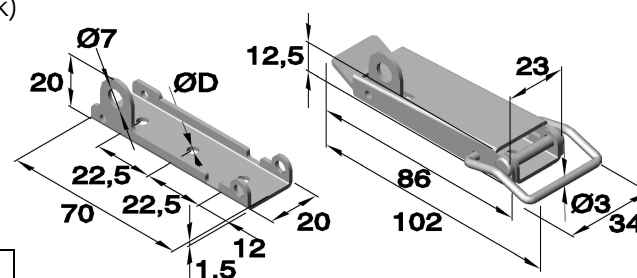
Art. no.: 1007 (drilled, with secondary loop lock)

Permitted tractive force: 1500 N

Breaking strength: 3000 N

Suitable strikes: see chapter „B“

Art. no.: 1006.\_\_/5



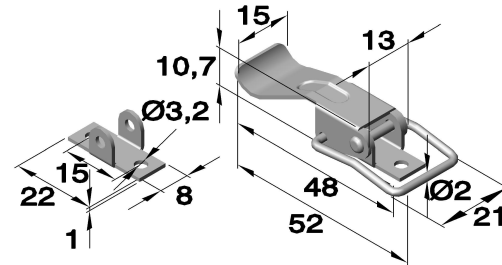
Article no.				
Series	Material			
	Raw	Nickel plated	Zinc plated	Raw
	Steel	Steel	Steel	Stainless steel
1007	.00/6	.01/6	.04/6	.30/6

## Latches with wire bracket

Art. no.: 1008 (drilled)

Permitted tractive force: 400 N  
Breaking strength: 1000 N

Suitable strikes: see chapter „B“  
Art. no.: 1008.\_\_/5

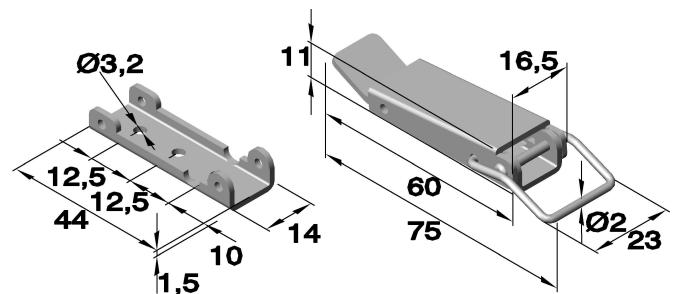


Article no.				
Series	Material			
	Raw	Nickel plated	Zinc plated	Raw
	Steel	Steel	Steel	Stainless steel
1008	.00/6	.01/6	.04/6	.30/6

Art. no.: 1009 (drilled)

Permitted tractive force: 550 N  
Breaking strength: 1500 N

Suitable strikes: see chapter „B“  
Art. no.: 1009.\_\_/5

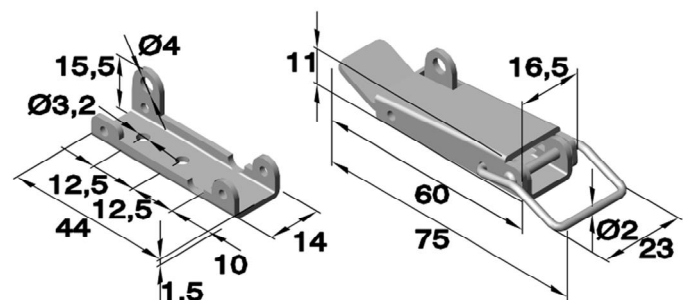


Article no.				
Series	Material			
	Raw	Nickel plated	Zinc plated	Raw
	Steel	Steel	Steel	Stainless steel
1009	.00/6	.01/6	.04/6	.30/6

Art. no.: 1010 (drilled, with secondary loop lock)

Permitted tractive force: 550 N  
Breaking strength: 1500 N

Suitable strikes: see chapter „B“  
Art. no.: 1009.\_\_/5



Article no.				
Series	Material			
	Raw	Nickel plated	Zinc plated	Raw
	Steel	Steel	Steel	Stainless steel
1010	.00/6	.01/6	.04/6	.30/6

## Latches with wire bracket

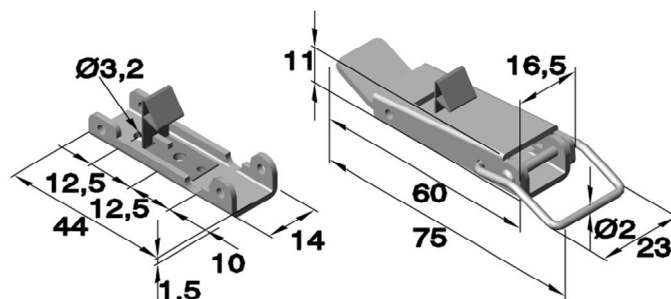
Art. no.: 1012 (drilled, with safety spring)

Permitted tractive force: 550 N

Breaking strength: 1500 N

Suitable strikes: see chapter „B“

Art. no.: 1009.\_\_/5



Article no.		
Series	Material	
	Zinc plated	Raw
	Steel	Stainless steel
1012	.04/6	.30/6

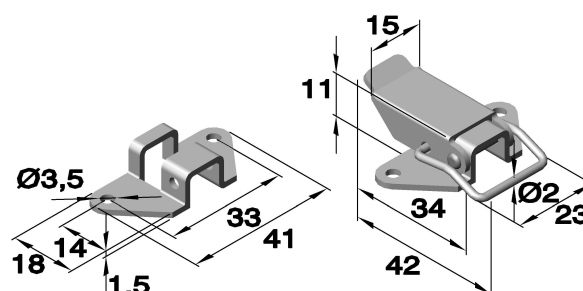
Art. no.: 1013 (drilled)

Permitted tractive force: 550 N

Breaking strength: 1500 N

Suitable strikes: see chapter „B“

Art. no.: 1013.\_\_/5



Article no.				
Series	Material			
	Steel	Nickel plated	Zinc plated	Raw
	Steel	Steel	Steel	Stainless steel
1013	.00/6	.01/6	.04/6	.30/6

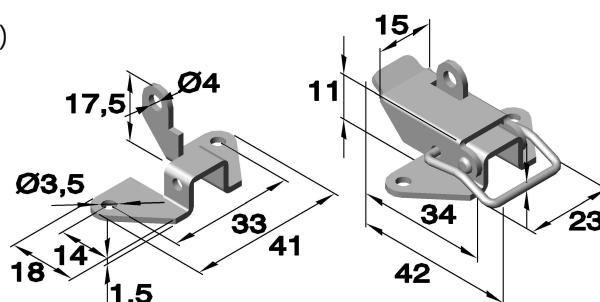
Art. no.: 1014 (drilled, with secondary loop locks)

Permitted tractive force: 550 N

Breaking strength: 1500 N

Suitable strikes: see chapter „B“

Art. no.: 1013.\_\_/5



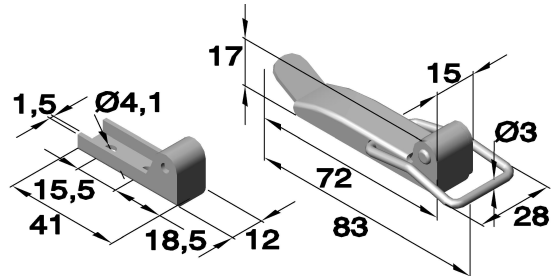
Article no.			
Series	Material		
	Steel	Nickel plated	Zinc plated
	Steel	Steel	Steel
1014	.00/6	.01/6	.04/6

## Latches with wire bracket

Art. no.: 1017 (drilled)

Permitted tractive force: 1000N  
Breaking strength: 2500N

Suitable strikes: see chapter „B“  
Art. no.: 1015.\_\_/5

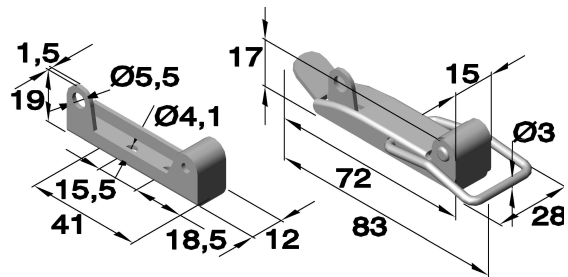


Article no.				
Series	Material			
	Steel	Nickel plated	Zinc plated	Raw
	Steel	Steel	Steel	Stainless steel
1017	.00/6	.01/6	.04/6	.30/6

Art. no.: 1018 (drilled, with secondary loop locks)

Permitted tractive force: 1000N  
Breaking strength: 2500N

Suitable strikes: see chapter „B“  
Art. no.: 1015.\_\_/5

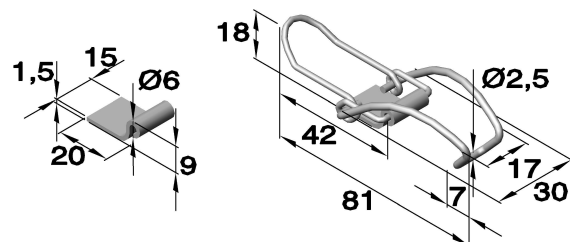


Article no.				
Series	Material			
	Steel	Nickel plated	Zinc plated	Raw
	Steel	Steel	Steel	Stainless steel
1018	.00/6	.01/6	.04/6	.30/6

Art. no.: 1019

Permitted tractive force: 300N  
Breaking strength: 600N

Suitable strikes: see chapter „B“



Article no.	
Series	Material
	Zinc plated
	Steel
1019	.04/6



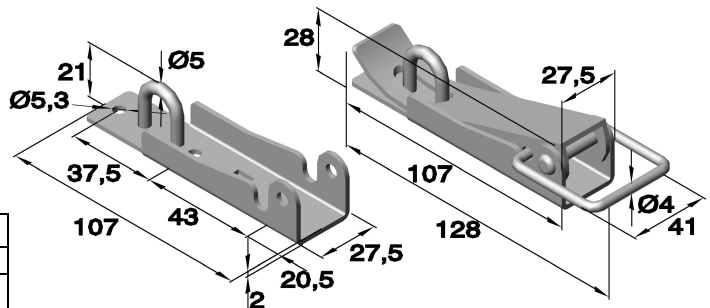
## Latches with wire bracket

Art. no.: 1021 (drilled, with secondary loop locks)

Permitted tractive force: 2000 N  
Breaking strength: 3500 N

Suitable strikes: see chapter „B“  
Art. no.: 1001.\_\_/5

Article no.	
Series	Material
	Zinc plated
	Steel
1021	.04/6

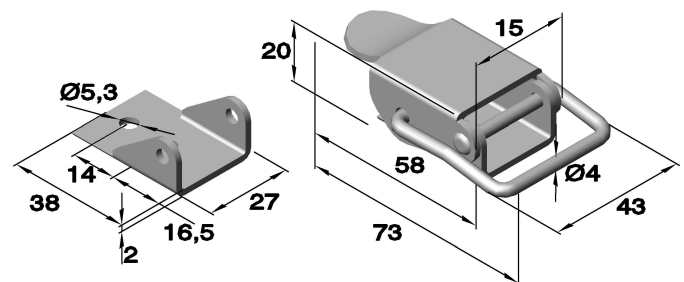


Art. no.: 1022 (drilled)

Permitted tractive force: 1500 N  
Breaking strength: 3000 N

Suitable strikes: see chapter „B“  
Art. no.: 1039.\_\_/5

Article no.	
Series	Material
	Zinc plated
	Steel
1022	.04/6

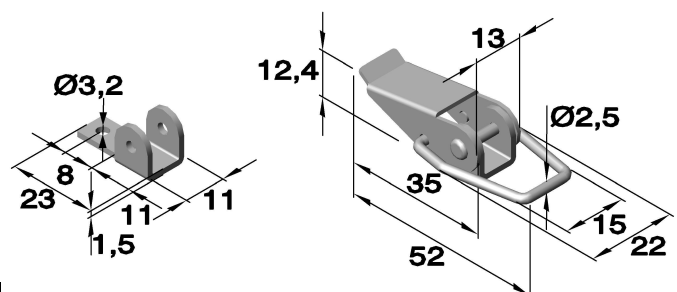


Art. no.: 1023 (drilled)

Permitted tractive force: 400 N  
Breaking strength: 1000 N

Suitable strikes: see chapter „B“  
Art. no.: 1023.\_\_/5

Article no.	
Series	Material
	Zinc plated
	Steel
1023	.04/6

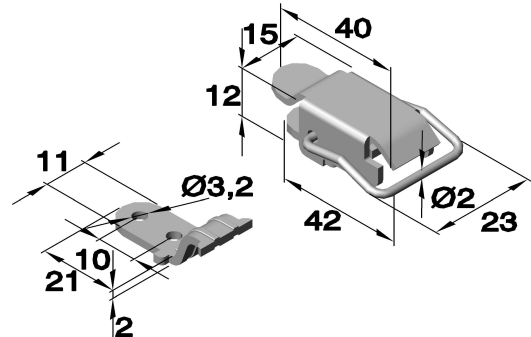


## Latches with wire bracket

Art. no.: 1035 (drilled)

Permitted tractive force: 550 N  
Breaking strength: 1000 N

Suitable strikes: see chapter „B“  
Art. no.: 1034.\_\_/5

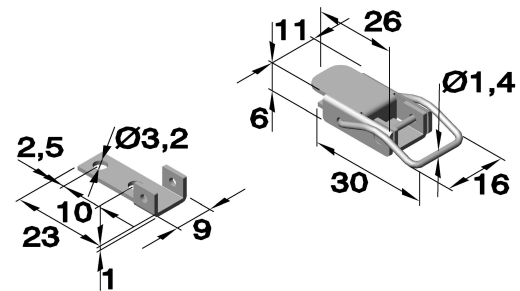


Article no.		
Series	Material	
	Zinc plated	Raw
1035	.04/6	.30/6

Art. no.: 1037 (drilled)

Permitted tractive force: 150 N  
Breaking strength: 300 N

Suitable strikes: see chapter „B“  
Art. no.: 1036.\_\_/5

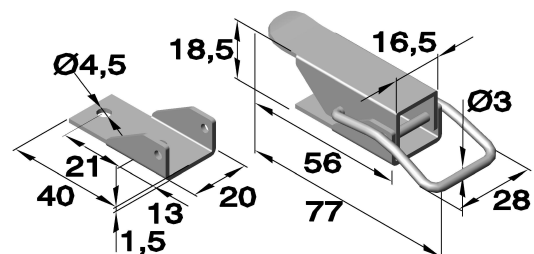


Article no.		
Series	Material	
	Zinc plated	Raw
1037	.04/6	

Art. no.: 1039 (drilled)

Permitted tractive force: 1000 N  
Breaking strength: 2500 N

Suitable strikes: see chapter „B“  
Art. no.: 1039.\_\_/5



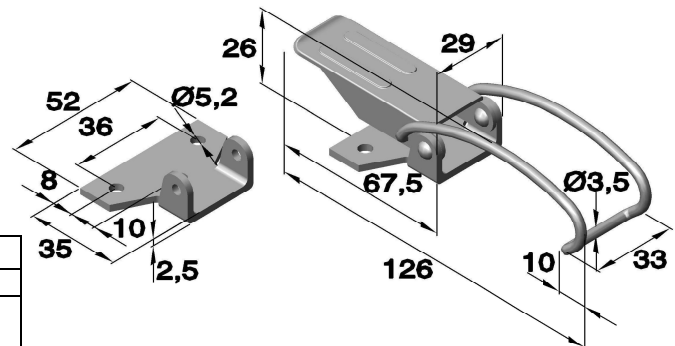
Article no.		
Series	Material	
	Zinc plated	Bronzed
1039	.04/6	.05/6

## Latches with wire bracket

Art. no.: 1042 (drilled)

Permitted tractive force: 200 N  
Breaking strength: 3500 N

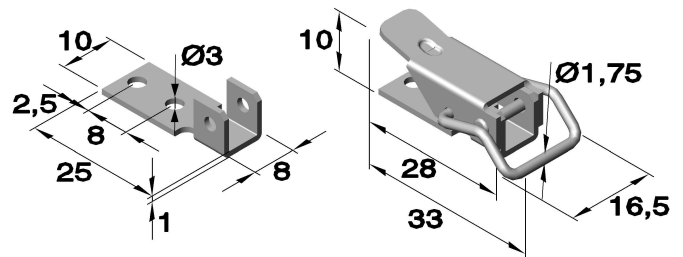
Suitable strikes: see chapter „B“



Article no.	
Series	Material
	Zinc plated
	Steel
1042	.04

Art. no.: 3001 (drilled)

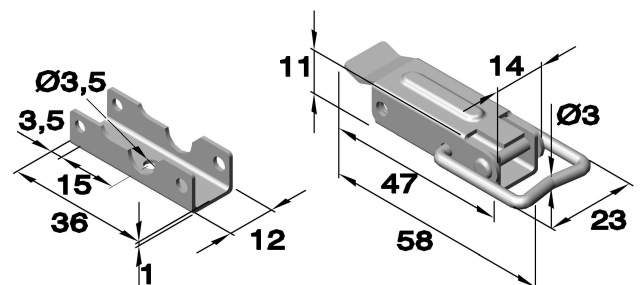
Suitable strikes: see chapter „B“  
Art. no.: 3601.\_ \_



Article no.	
Series	Material
	Zinc plated
	Steel
3001	.04

Art. no.: 3002 (drilled)

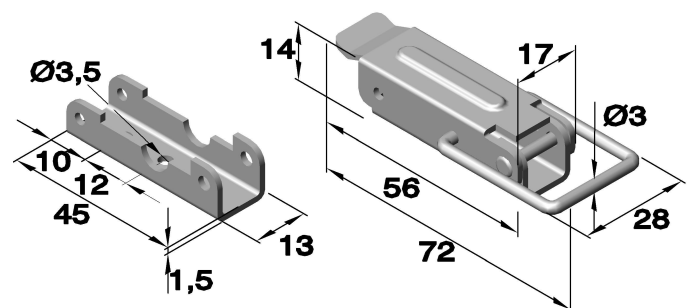
Suitable strikes: see chapter „B“  
Art. no.: 3602.\_ \_



Article no.			
Series	Material		
	Zinc plated	Raw	Polished
	Steel	Stainless steel	Stainless steel
3002	.04	.30	.33

Art. no.: 3003 (drilled)

Suitable strikes: see chapter „B“  
Art. no.: 3603.\_ \_



Article no.			
Series	Material		
	Zinc plated	Raw	Polished
	Steel	Stainless steel	Stainless steel
3003	.04	.30	.33

## Latches with wire bracket

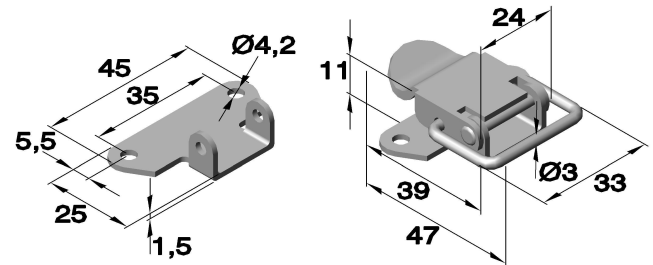
Art. no.: 3004 (drilled)

Suitable strikes: see chapter „B“

Art. no.: 3604.\_ \_

Art. no.: 3619.\_ \_

Article no.				
Series	Material			
	Zinc plated	Raw	Polished	Seawater resistant
	Steel	Stainless steel	Stainless steel	Stainless steel
3004	.04	.30	.33	.35



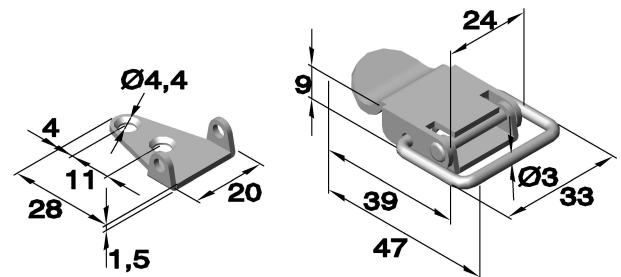
Art. no.: 3005 (drilled and countersunk)

Suitable strikes: see chapter „B“

Art. no.: 3604.\_ \_

Art. no.: 3619.\_ \_

Article no.	
Series	Material
	Zinc plated
	Steel
3005	.04



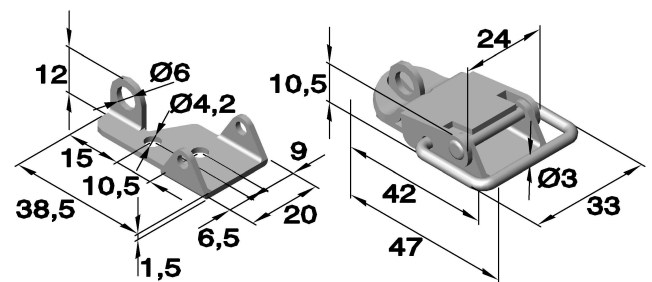
Art. no.: 3006 (drilled)

Suitable strikes: see chapter „B“

Art. no.: 3604.\_ \_

Art. no.: 3619.\_ \_

Article no.	
Series	Material
	Zinc plated
	Steel
3006	.04



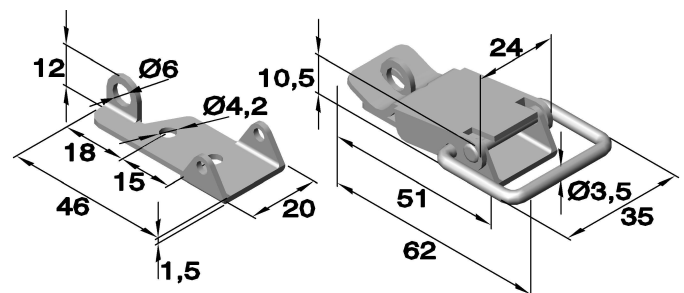
Art. no.: 3007 (drilled)

Suitable strikes: see chapter „B“

Art. no.: 3604.\_ \_      Art. no.: 3610.\_ \_

Art. no.: 3606.\_ \_      Art. no.: 3619.\_ \_

Article no.			
Series	Material		
	Zinc plated	Stainless steel	Polished stainless steel
	Steel	Stainless steel	Stainless steel
3007	.04	.30	.33



## Latches with wire bracket

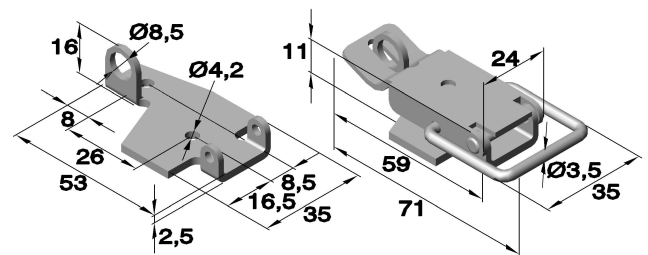
### Art. no.: 3008 (drilled)

Suitable strikes: see chapter „B“

Art. no.: 3604. \_\_ Art. no.: 3610. \_\_

Art. no.: 3606. \_\_ Art. no.: 3619. \_\_

Article no.	
Series	Material
	Zinc plated
	Steel
3008	.04



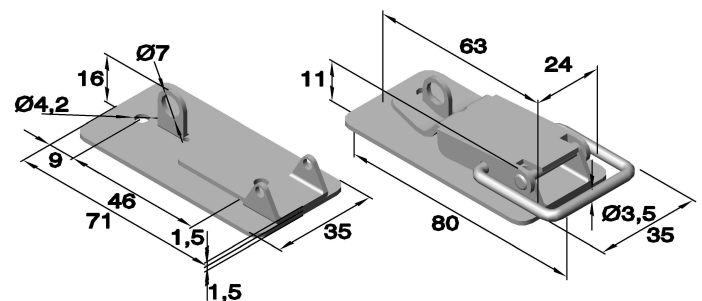
### Art. no.: 3009 (drilled)

Suitable strikes: see chapter „B“

Art. no.: 3604. \_\_ Art. no.: 3610. \_\_

Art. no.: 3606. \_\_ Art. no.: 3619. \_\_

Article no.	
Series	Material
	Zinc plated
	Steel
3009	.04



### Art. no.: 3011 (drilled)

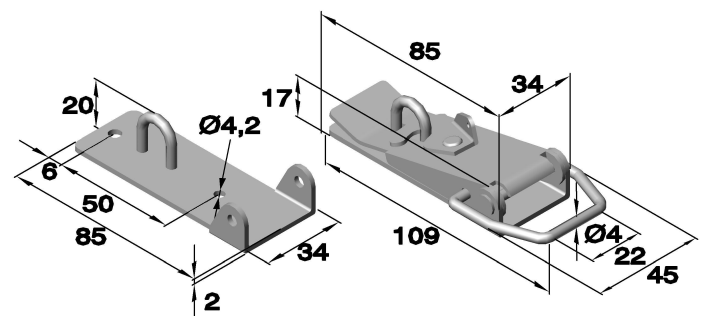
Suitable strikes: see chapter „B“

Art. no.: 3608. \_\_ Art. no.: 3622. \_\_

Art. no.: 3611. \_\_ Art. no.: 3625. \_\_

Art. no.: 3612. \_\_

Article no.	
Series	Material
	Zinc plated
	Steel
3011	.04



### Art.Nr. 3021 (drilled)

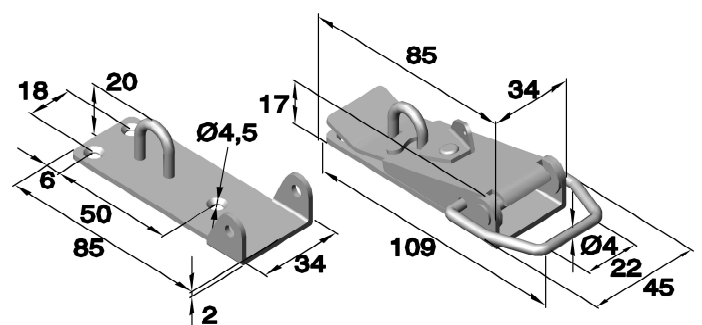
Suitable strikes: see chapter „B“

Art.Nr. 3608. \_\_ Art.Nr. 3622. \_\_

Art.Nr. 3611. \_\_ Art.Nr. 3625. \_\_

Art.Nr. 3612. \_\_

Article no.	
Series	Material
	Zinc plated
	Steel
3021	.04

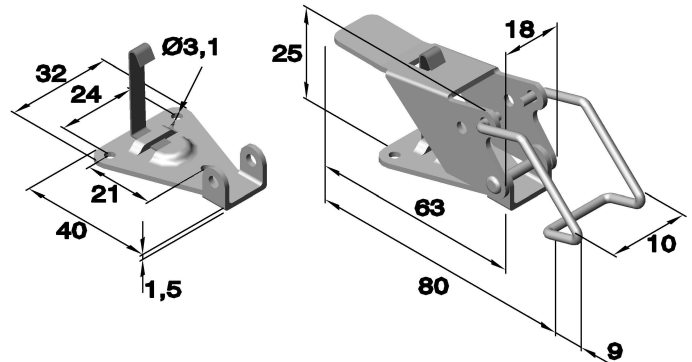


## Latches with wire bracket

Art. no.: 3135 (drilled, with safety spring)

Suitable strikes: see chapter „B“

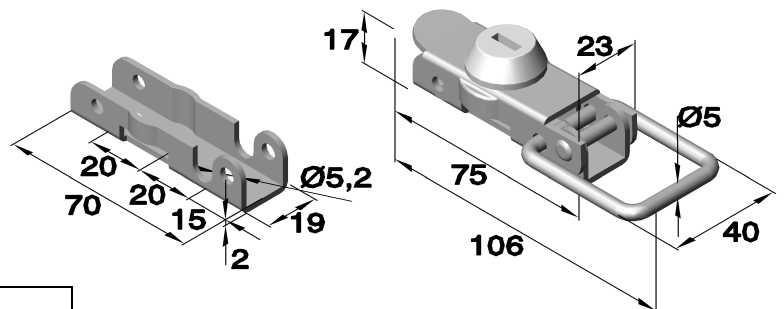
Article no.	
Series	Material
	Zinc plated
	Steel
3135	.04



Art. no.: 6370 (drilled and countersunk)  
with lock

Suitable strikes: see chapter „B“  
Art. no.: 6375.02.04

Article no.		
Series	Material	
	Zinc plated	Raw
	Steel	Stainless steel
6370	.04	.30

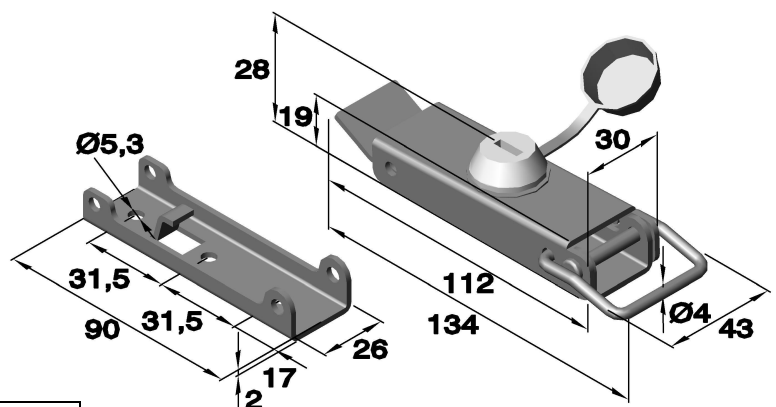


Art.Nr. 1070 (drilled)  
with lock

Permitted tractive force: 2000 N  
Breaking strength: 4000 N

Suitable strikes: see chapter „B“  
Art.no. 1001.\_\_/5

Article no.	
Series	Material
	Black Zinc plated
	Steel
1070	.06/6

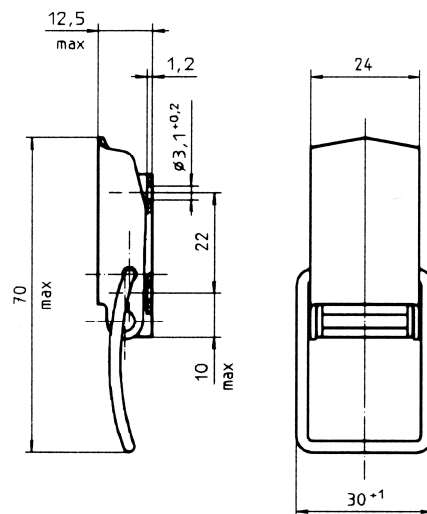
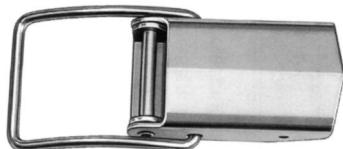


# Latches

with wire bracket

## Art.Nr. 1429L (drilled)

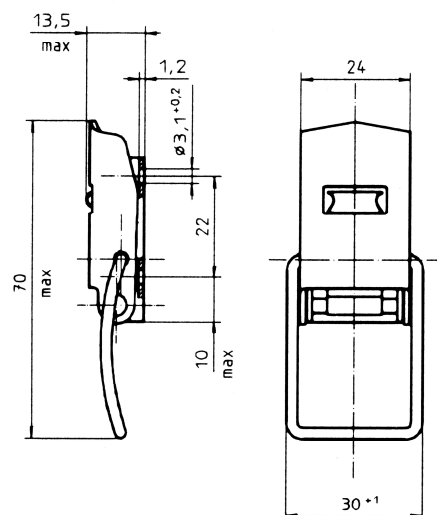
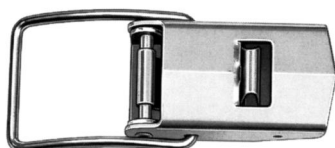
Tensile load 1500 N  
Operating load 1000 N



Article no.		
Series	Material	
	Zinc plated	Raw
1429L02-2-	1AG	1BP

## Art.Nr. 1429L (drilled)

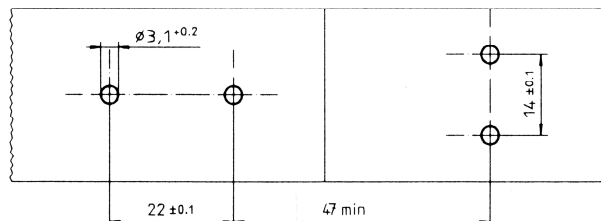
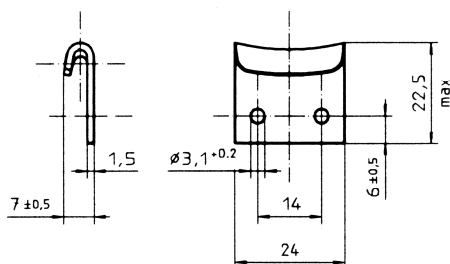
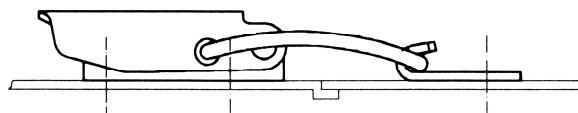
Tensile load 1100 N  
Operating load 800 N



Article no.		
Series	Material	
	Zinc plated	Raw
1429L02-2X	1AG	1BP

## Suitable clamp

Article no.		
Series	Material	
	Zinc plated	Raw
1429L9-	1AG	1BP

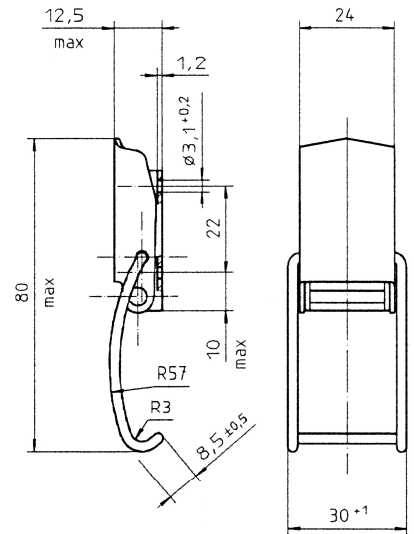
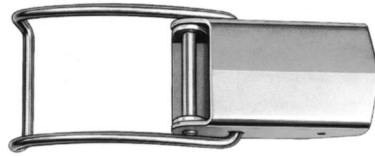


# Latches

with wire bracket

Art.Nr. 1429L (drilled)

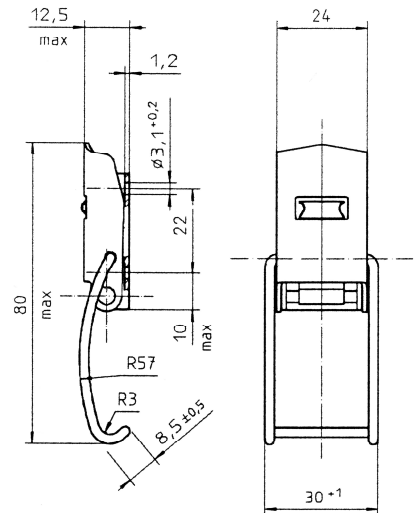
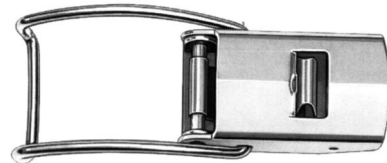
Tensile load max. 1100 N  
Operating load 800 N



Article no.		
Series	Material	
	Zinc plated	Raw
1429L02-3-	1AG	1BP

Art.Nr. 1429L (drilled)

Tensile load max. 1100 N  
Operating load 800 N



Article no.		
Series	Material	
	Zinc plated	Raw
1429L02-3X	1AG	1BP

## Suitable clamp

Article no.		
Series	Material	
	Zinc plated	Raw
1429L9-	1AG	1BP

